
CHAPTER - 06 HIGHLIGHTS
(Summary of Changes)*Revision No. TR06-1 May 29/18*

TO: HOLDERS OF THE AIRCRAFT MAINTENANCE MANUAL (06-117751)

Pages that have been added or revised are summarized below. Remove and insert the affected pages as listed, and enter the above revision number with issue date into the Record of Revisions sheet.

This Temporary Revision incorporates and supersedes previously released temporary revisions for the chapters listed below.

Do not remove this page. Keep it in place as a record of previous changes.

CH/SE/SU Page Block No.	Description of Change
06-50-00 PgBlk 201 (D)	Added floor panels 131 CZ-A and 131 CZ-B post MB 500-34-030.

THIS PAGE INTENTIONALLY LEFT BLANK

AIRCRAFT ACCESS PANELS

AMM-06-50-00-051-D-801

1. General

- A. The access panels and doors give access to the system components and the aircraft structure.
- (1) This task gives the panel description, zone of each access panel, door, and the components that they give access to.
 - (2) Access doors give access to servicing points and are frequently hinged and have quick-release latches. Access panels give access for maintenance or inspection and are frequently attached with screws. Some panels have seals which must be examined for damage before the access panel is installed.
 - (3) For panel and door removal and installation instructions, refer to the appropriate AMM chapter.
- B. A number identifies each access panel (example: 521 AB). The number has three parts:
- (1) The number of the secondary zone, refer to [AMM-06-40-00-051-801 – Aircraft Zones](#) .
 - (2) The first letter is the primary letter that identifies a logical sequence (letters I and O are not used).
 - (3) The second letter locates the position of the panel as follows:
 - (a) A-Aft
 - (b) L-Left
 - (c) R-Right
 - (d) B-Bottom
 - (e) T-Top
 - (f) Z-Internal
- C. Panel information is divided into subtasks and described in tables as follows:
- [SUBTASK AMM-06-50-00-051-D-871-001](#)
 - [SUBTASK AMM-06-50-00-051-D-871-002](#)
 - [SUBTASK AMM-06-50-00-051-D-871-003](#)
 - [SUBTASK AMM-06-50-00-051-D-871-004](#)
 - [SUBTASK AMM-06-50-00-051-D-871-005](#)
 - [SUBTASK AMM-06-50-00-051-D-871-006](#)
- D. Panels are frequently referred to as Left Hand (LH) or Right Hand (RH) panels in tables for each section. Aircraft components are sometimes given an access panel number and a name. If a Line Replaceable Unit (LRU) is listed as an access panel, it may not give

access to additional components, so tables will have Not Applicable (N/A) in the Gives Access To column.

2. Fuselage Panels (primary zones 100 and 200)

SUBTASK AMM-06-50-00-051-D-871-001

- A. Panels in primary zone 100 as described in [Table 201](#) and primary zone 200 as described in [Table 202](#) are located on the fuselage. Refer to [Fig. 201](#), [Sheet 1](#), [Sheet 2](#), [Sheet 3](#), [Sheet 4](#), [Sheet 5](#), [Sheet 6](#), [Sheet 7](#), [Sheet 8](#), and [Sheet 9](#) for zone 100 and 200 panel locations.

Table 201. Fuselage Panels (Zone 100)

Panel Description	Zone	Gives Access To	Task Reference
121 BZ - Floor Panel, Left Cockpit Fig. 201, Sheet 1	121	Cables, pulleys, cable guides, and floor support formers	Refer to AMM-25-11-30-001-801 – Cockpit Floor Panels - Removal
121 CZ - Floor Panel, Aft Center Cockpit Fig. 201, Sheet 1	121	Cables, pulleys, cable guides, and floor support formers	Refer to AMM-25-11-30-001-801 – Cockpit Floor Panels - Removal
122 AZ - Floor Panel, Right Cockpit Fig. 201, Sheet 1	122	Cables, pulleys, cable guides, aileron linkages, elevator linkages, and floor support formers	Refer to AMM-25-11-30-001-801 – Cockpit Floor Panels - Removal
122 BZ - Floor Panel, Forward Center Cockpit Fig. 201, Sheet 1	122	Cables, pulleys, cable guides, aileron linkages, elevator linkages, and floor support formers	Refer to AMM-25-11-30-001-801 – Cockpit Floor Panels - Removal
131 AZ - Floor Panel, Forward Left Cabin Fig. 201, Sheet 1	131	Cables, pulleys, cable guides, emergency gear release cable, wire harnesses, and floor support formers	Refer to AMM-25-21-30-001-801 – Cabin Floor Panels - Removal
131 BZ - Floor Panel, Forward Cabin Center Fig. 201, Sheet 1	131	Cables, pulleys, cable guides, brake lines, parking brake valve, and floor support formers	Refer to AMM-25-21-30-001-801 – Cabin Floor Panels - Removal
131 CZ-A - Floor Panel, Aft Long, Left Cabin Fig. 201, Sheet 1	131	Cables, pulleys, cable guides, brake lines, wire harnesses, and floor support formers	Refer to AMM-25-21-30-001-801 – Cabin Floor Panels - Removal

Panel Description	Zone	Gives Access To	Task Reference
131 CZ-B - Floor Panel, Aft Short, Left Cabin Fig. 201, Sheet 1	131	Cables, pulleys, cable guides, brake lines, wire harnesses, GPS 3, and floor support formers	Refer to AMM-25-21-30-001-801 – Cabin Floor Panels - Removal
131 DZ - Floor Panel, Aft Cabin Center Fig. 201, Sheet 1	131	Cables, pulleys, cable guides, and floor support formers	Refer to AMM-25-21-30-001-801 – Cabin Floor Panels - Removal
131 EZ - Landing Gear Emergency Panel Fig. 201, Sheet 1	131	Emergency landing gear mechanisms	N/A
132 AZ - Floor Panel, Forward Right Cabin Fig. 201, Sheet 1	132	Cables, pulleys, cable guides, wire harnesses, and floor support formers	Refer to AMM-25-21-30-001-801 – Cabin Floor Panels - Removal
132 BZ - Floor Panel, Aft Right Cabin Fig. 201, Sheet 1	132	Cables, pulleys, cable guides, brake lines, wire harnesses, and floor support formers	Refer to AMM-25-21-30-001-801 – Cabin Floor Panels - Removal

Table 202. Fuselage Panels (Zone 200)

Panel Description	Zone	Gives Access To	Task Reference
211 AT - Radome Fig. 201, Sheet 2	211	Weather radar and glide slope components	Refer to AMM-53-10-12-001-801 – Radome - Removal
211 CT - Nose Access Panel Fig. 201, Sheet 2	211	Oxygen system, reservoirs, batteries, and air Vapor Cycle System (VCS) components	Refer to AMM-53-10-11-001-801 – Nose Access Panel - Removal
211 EL - Oxygen Service Door Fig. 201, Sheet 2	211	Oxygen servicing adapter	N/A
211 JZ - Oxygen Bottle Cover Fig. 201, Sheet 2	211	Oxygen bottle	N/A
212 AR - Forward VCS (Inlet) Door Fig. 201, Sheet 3	212	VCS components	Refer to AMM-21-10-16-001-801 – Forward VCS Door - Removal.

Panel Description	Zone	Gives Access To	Task Reference
212 ER - Aft VCS (Outlet) Door Fig. 201, Sheet 3	212	VCS components	Refer to AMM-21-10-17-001-801 – Aft VCS Door - Removal.
221 AZ - ISS Panel, Forward pressure Bulkhead Fig. 201, Sheet 3	221	Integrated Sensor Suite (ISS) components	Refer to AMM-53-10-14-001-801 – Iss Access Panel - Removal
221 BZ - Left Lower Cockpit Sidewall Assembly Fig. 201, Sheet 4	221	Lower stick grip linkage components	Refer to AMM-25-11-20-001-801 – Cockpit Panels - Removal
221 CZ - Left Sidestick Grip Boot Fig. 201, Sheet 4	221	Left stick grip linkage components	Refer to AMM-25-11-20-001-801 – Cockpit Panels - Removal
221 DZ - Left Sidewall Kick Panel Fig. 201, Sheet 4	221	Fuselage formers, insulation, and linkage components	Refer to AMM-25-11-20-001-801 – Cockpit Panels - Removal
221 EZ - Left Cockpit Sidewall Cover Strip Fig. 201, Sheet 4	221	Mount fasteners for sidewalls	Refer to AMM-25-21-25-001-801 – Multi-Purpose Rail - Removal
221 FZ - Left Center Console Kick Panel Fig. 201, Sheet 4	221	Center console component linkages and connectors	Refer to AMM-25-11-20-001-801 – Cockpit Panels - Removal.
221 GZ - Left Upper Cockpit Sidewall Panel Fig. 201, Sheet 4	221	Pilot window mounts and seal assembly.	Refer to AMM-25-11-20-001-801 – Cockpit Panels - Removal
221 HZ - Center Console Fig. 201, Sheet 4	221	Center console component linkages and connectors	Refer to AMM-25-11-20-001-801 – Cockpit Panels - Removal
221 JZ - Center Post Panel Fig. 201, Sheet 5	221	Center post compass mounts and windscreen seal assemblies	Refer to AMM-25-11-20-001-801 – Cockpit Panels - Removal
221 KZ - Cockpit Overhead Console Fig. 201, Sheet 5	221	Overhead console control connectors	Refer to AMM-25-21-21-001-801 – Overhead Console - Removal

Panel Description	Zone	Gives Access To	Task Reference
221 LZ - Cockpit Headliner Fig. 201, Sheet 4	221	Upper fuselage formers, stringers, and insulation	Refer to AMM-25-11-20-001-801 – Cockpit Panels - Removal
221 NZ - Glare Shield Panel Fig. 201, Sheet 4	221	Cockpit control panel components, component housings, connectors, and wiring	Refer to AMM-25-11-20-001-801 – Cockpit Panels - Removal
221 PZ - Left Primary Flight Display (PFD) Fig. 201, Sheet 5	221	PFD connectors	Refer to AMM-31-10-16-001-801 – Primary Flight Display - Removal.
221 RZ - Instrument Panel Left (IPL) Fig. 201, Sheet 5	221	Cabin Air, Oxygen, Electrical, ELT and communications select connectors	Refer to AMM-31-10-12-001-801 – Instrument Panel Left - Removal.
221 UZ - Left Gasper Fig. 201, Sheet 5	221	Left gasper duct and connectors	N/A
222 AZ - ISS Panel, Forward pressure Bulkhead Fig. 201, Sheet 3	222	Integrated sensor suite connectors	Refer to AMM-53-10-14-001-801 – Iss Access Panel - Removal
222 BZ - Right Lower Cockpit Sidewall Assembly Fig. 201, Sheet 4	222	Lower stick grip linkage components	Refer to AMM-25-11-20-001-801 – Cockpit Panels - Removal
222 CZ - Right Sidestick Grip Boot Fig. 201, Sheet 4	222	Right stick grip linkage components	Refer to AMM-25-11-20-001-801 – Cockpit Panels - Removal
222 DZ - Right Sidewall Kick Panel Fig. 201, Sheet 4	222	Fuselage formers, insulation, and linkage components	Refer to AMM-25-11-20-001-801 – Cockpit Panels - Removal
222 EZ - Right Cockpit Sidewall Cover Strip Fig. 201, Sheet 4	222	Mount fasteners for sidewalls	Refer to AMM-25-21-25-001-801 – Multi-Purpose Rail - Removal
222 FZ - Right Center Console Kick Panel Fig. 201, Sheet 4	222	Center console component linkages, and connectors	Refer to AMM-25-11-20-001-801 – Cockpit Panels - Removal

Panel Description	Zone	Gives Access To	Task Reference
222 GZ - Right Upper Cockpit Sidewall Panel Fig. 201, Sheet 4	222	Copilot window mounts and seal assembly	Refer to AMM-25-11-20-001-801 – Cockpit Panels - Removal
222 HZ - Right Gasper Fig. 201, Sheet 5	222	Right gasper duct and connectors	N/A
222 JZ - Right Primary Flight Display (PFD) Fig. 201, Sheet 5	222	Primary flight display connectors	Refer to AMM-31-10-16-001-801 – Primary Flight Display - Removal.
222 KZ - Multi Function Display (MFD) Fig. 201, Sheet 5	222	Multifunction display connectors	Refer to AMM-31-10-15-001-801 – Multi-Function Display - Removal.
222 LZ - Instrument Panel Right (IPR) Fig. 201, Sheet 5	222	Right side instrument panel connectors	Refer to AMM-31-10-13-001-801 – Instrument Panel Right - Removal
231 AZ - Left Lower Cabin Sidewall Assembly Fig. 201, Sheet 6	231	Fuselage formers, stringers, and cabin insulation	Refer to AMM-25-21-20-001-801 – Cabin Panels - Removal
231 BZ - Upper Left Cabin Cover Strip Fig. 201, Sheet 6	231	Upper left cabin sidewall assembly fasteners	Refer to AMM-25-21-25-001-801 – Multi-Purpose Rail - Removal
231 CZ - Left Multi Rail Cover Strip Fig. 201, Sheet 6	231	Left cabin railing	Refer to AMM-25-21-25-001-801 – Multi-Purpose Rail - Removal
231 DZ - Left Forward Upper Cover Strip Fig. 201, Sheet 7	231	Main hatch seal assemblies and fuselage former structure	Refer to AMM-25-21-25-001-801 – Multi-Purpose Rail - Removal
231 EZ - Left Rail Assembly Fig. 201, Sheet 6	231	N/A	Refer to AMM-25-21-25-001-801 – Multi-Purpose Rail - Removal
231 FZ - Left Upper Sidewall Panel Fig. 201, Sheet 7	231	Fuselage formers, stringers, and cabin insulation	Refer to AMM-25-21-20-001-801 – Cabin Panels - Removal

Panel Description	Zone	Gives Access To	Task Reference
231 GZ - Threshold Assembly Fig. 201, Sheet 7	231	Hatch surrounding and floor structure	Refer to AMM-25-21-25-001-801 – Multi-Purpose Rail - Removal
231 HZ - APC/PDC Cover Panel Fig. 201, Sheet 6	231	AVIO Processing Center (APC) power distribution center components and connectors	Refer to AMM-25-21-20-001-801 – Cabin Panels - Removal
231 JZ - Cabin Headliner Assembly Fig. 201, Sheet 6	231	Fuselage formers, stringers, and cabin insulation	Refer to AMM-25-21-20-001-801 – Cabin Panels - Removal
231 KZ - Cabin Oxygen Box Cover Fig. 201, Sheet 7	231	Cabin oxygen box	N/A
231 LZ - Cabin Oxygen Box Cover Fig. 201, Sheet 7	231	Cabin oxygen box	N/A
231 MZ - Baggage Step Panel Fig. 201, Sheet 6	231	Left and right wing flight control components and CPCS outflow valves	Refer to AMM-25-21-20-001-801 – Cabin Panels - Removal
231 NZ - Floor Panel, Baggage Compartment Fig. 201, Sheet 6	231	Left and right wing flight control components and CPCS outflow valves	Refer to AMM-25-21-30-001-801 – Cabin Floor Panels - Removal
231 PZ - Aft Bulkhead Panel Fig. 201, Sheet 6	231	Aft bulkhead and CPCS outflow valves	Refer to AMM-25-21-20-001-801 – Cabin Panels - Removal
231 QZ - Cabin Overhead Console Fig. 201, Sheet 7	231	Cabin oxygen boxes	Refer to AMM-25-21-21-001-801 – Overhead Console - Removal
232 AZ - Right Upper Sidewall Panel Fig. 201, Sheet 8	232	Fuselage formers, stringers, and cabin insulation	Refer to AMM-25-21-20-001-801 – Cabin Panels - Removal
232 BZ - Right Upper Cabin Cover Strip Fig. 201, Sheet 8	232	Sidewall assembly fasteners	Refer to AMM-25-21-25-001-801 – Multi-Purpose Rail - Removal

Panel Description	Zone	Gives Access To	Task Reference
232 CZ - Right Upper Cover Strip Fig. 201, Sheet 8	232	Sidewall assembly fasteners	Refer to AMM-25-21-25-001-801 – Multi-Purpose Rail - Removal
232 DZ - Right Forward Upper Cover Strip Fig. 201, Sheet 8	232	Sidewall assembly fasteners	Refer to AMM-25-21-25-001-801 – Multi-Purpose Rail - Removal
232 EZ - Right Rail Assembly Fig. 201, Sheet 8	232	Right side rail	Refer to AMM-25-21-25-001-801 – Multi-Purpose Rail - Removal
232 FZ - Right Lower Cabin Sidewall Assembly Fig. 201, Sheet 8	232	Fuselage formers, stringers, and cabin insulation	Refer to AMM-25-21-20-001-801 – Cabin Panels - Removal
232 HZ - Right Forward Lower Cover Strip Fig. 201, Sheet 8	232	Sidewall assembly fasteners	Refer to AMM-25-21-25-001-801 – Multi-Purpose Rail - Removal
241 CZ - Lower Cabin Door Panel Fig. 201, Sheet 7	241	Cabin door linkages	Refer to AMM-25-21-22-001-801 – Lower Door Panel - Removal
241 FZ - Upper Step Cover Assembly Fig. 201, Sheet 7	241	Upper step components	N/A
241 GZ - Lower Step Cover Assembly Fig. 201, Sheet 7	241	Lower step components	N/A
241 HZ - Lower Cabin Door Panel Closeout Fig. 201, Sheet 7	241	Cabin door latch and linkage components	Refer to AMM-25-21-22-001-801 – Lower Door Panel - Removal
241 JZ - Upper Door Panel Fig. 201, Sheet 7	241	Upper door latch and linkage components	Refer to AMM-25-21-23-001-801 – Upper Door Panel - Removal
242 BZ - Emergency Hatch Panel Fig. 201, Sheet 8	242	Emergency door latch pin and linkage components	Refer to AMM-25-21-20-001-801 – Cabin Panels - Removal

Panel Description	Zone	Gives Access To	Task Reference
251 CL - Left Forward Wing-to-Body Fairing Fig. 201, Sheet 9	251	Wing root structure and wing component access	Refer to AMM-53-11-12-001-801 – Forward Wing to Body Fairing Assembly - Removal
251 EL - Left Lower Wing-to-Body Fairing Fig. 201, Sheet 9	251	Wing root structure and wing component access	Refer to AMM-53-11-11-001-801 – Lower Wing to Body Fairing Assembly - Removal
251 FL - Left Aft Wing-to-Body Fairing Fig. 201, Sheet 9	251	Wing root structure and wing component access	Refer to AMM-53-11-13-001-801 – Aft Wing To Body Fairing - Removal
251 GL – Engine Cover Stowage Door Fig. 202, Sheet 1	251	Wing root structure and wing component access	N/A
252 BR - Right Forward Wing-to-Body Fairing Fig. 201, Sheet 9	252	Wing root structure and wing component access	Refer to AMM-53-11-12-001-801 – Forward Wing to Body Fairing Assembly - Removal
252 DR - Right Lower Wing-to-Body Fairing Fig. 201, Sheet 9	252	Wing root structure and wing component access	Refer to AMM-53-11-11-001-801 – Lower Wing to Body Fairing Assembly - Removal
252 EL - Right Aft Wing-to-Body Fairing Fig. 201, Sheet 9	252	Wing root structure and wing component access	Refer to AMM-53-11-13-001-801 – Aft Wing To Body Fairing - Removal

3. Empennage Panels (primary zone 300)

SUBTASK AMM-06-50-00-051-D-871-002

- A. Panels in primary zone 300 are located on the empennage as described in [Table 203](#). Refer to [Fig. 202, Sheet 1](#), [Sheet 2](#), and [Sheet 3](#) for zone 300 panel locations.

Table 203. Empennage Panels (Zone 300)

Panel Description	Zone	Gives Access To	Task Reference
311 AL - Maintenance Bay Panel Fig. 202, Sheet 1	311	Engine and flight control components access	Refer to AMM-53-40-10-001-801 – Maintenance Bay Panel - Removal
311 CT - Dorsal Fairing Fig. 202, Sheet 1	311	Emergency locator transmitter, horizontal stabilizer and rudder control components, and linkages	Refer to AMM-53-40-13-001-801 – Dorsal Fairing - Removal
311 EL - Left Pylon Leading Edge Fig. 202, Sheet 2	311	Engine control and link components	Refer to AMM-54-30-11-001-801 – Leading Edge Pylon Skin - Removal
311 FL - NACA Fig. 202, Sheet 2	311	Bleed Air Supply Subsystem (BASS) components	Refer to AMM-21-40-18-001-801 – NACA Duct - Removal
311 GL - Left Aft Upper Pylon Skin Fig. 202, Sheet 2	311	Engine control and link components	Refer to AMM-54-30-14-001-801 – Aft Upper Pylon Skin - Removal
311 HL - Left Pylon Trailing Edge Fig. 202, Sheet 3	311	Engine control and link components	Refer to AMM-54-30-15-001-801 – Pylon Trailing Edge - Removal
311 JL - Left Forward Lower Pylon Skin Fig. 202, Sheet 3	311	Engine control and link components	Refer to AMM-54-30-13-001-801 – Forward Lower Pylon Skin - Removal
311 KL - Left Lower Pylon Louver Assembly Fig. 202, Sheet 3	311	Engine control and link components	Refer to AMM-54-30-16-001-B-801 – Lower Louver Pylon Skin - Removal
311 LL - Left Aft Lower Pylon Skin Fig. 202, Sheet 3	311	Engine control and link components	Refer to AMM-54-30-12-001-801 – Aft Lower Pylon Skin - Removal

Panel Description	Zone	Gives Access To	Task Reference
312 BR - Right Pylon Leading Edge Fig. 202, Sheet 2	312	Engine control and link components	Refer to AMM-54-30-11-001-801 – Leading Edge Pylon Skin - Removal
312 CR - NACA Fig. 202, Sheet 2	312	Bleed Air Supply Subsystem (BASS) components	Refer to AMM-21-40-18-001-801 – NACA Duct - Removal
312 DR - Right Aft Upper Pylon Skin Fig. 202, Sheet 2	312	Engine control and link components	Refer to AMM-54-30-14-001-801 – Aft Upper Pylon Skin - Removal
312 ER - Right Pylon Trailing Edge Fig. 202, Sheet 3	312	Engine control and link components	Refer to AMM-54-30-15-001-801 – Pylon Trailing Edge - Removal
312 FR - Right Forward Lower Pylon Skin Fig. 202, Sheet 3	312	Engine control and link components	Refer to AMM-54-30-13-001-801 – Forward Lower Pylon Skin - Removal
312 GR - Right Lower Pylon Louver Assembly Fig. 202, Sheet 3	312	Engine control and link components	Refer to AMM-54-30-16-001-B-801 – Lower Louver Pylon Skin - Removal
312 HR - Right Aft Lower Pylon Skin Fig. 202, Sheet 3	312	Engine control and link components	Refer to AMM-54-30-12-001-801 – Aft Lower Pylon Skin - Removal
321 BT - Vertical Leading Edge Fig. 202, Sheet 1	321	Vertical stabilizer electrical components, rudder and elevator control pulleys, cables, torque tubes, Traffic alert and Collision Avoidance System (TCAS) components, and connectors	Refer to AMM-55-30-12-001-B-801 – Vertical Stabilizer Leading Edge Fairing - Removal
321 DB - Vertical Access Panel Fig. 202, Sheet 2	321	Vertical stabilizer electrical components, rudder and elevator control pulleys, cables, and torque tubes	Refer to AMM-55-30-13-001-801 – Vertical Stabilizer Lower Access Panel - Removal
321 EA - Tail Cone Fig. 202, Sheet 3	321	Tail light assembly components and wiring	Refer to AMM-53-40-14-001-801 – Tail Cone - Removal

Panel Description	Zone	Gives Access To	Task Reference
322 BR - Rudder Access Cover Fig. 202, Sheet 3	322	Rudder lower hinge, bearing and failsafe fitting.	N/A
331 AL - Left MAD Access Panel Fig. 202, Sheet 3	331	Left Magnetic Azimuth Detection (MAD) equipment and connectors	Refer to AMM-55-10-13-001-B-801 – MAD Access Panel - Removal
331 BZ - Elevator Trim Panel Fig. 202, Sheet 2	331	Elevator trim adjuster components and connectors	N/A
331 DT - Upper Overfin Fairing Fig. 202, Sheet 2	331	Vertical stabilizer electrical components, rudder and elevator control pulleys, cables, and torque tubes	Refer to AMM-55-10-12-001-B-801 – Overfin Fairing - Removal
331 GB - Lower Overfin Fairing Fig. 202, Sheet 1	331	Vertical stabilizer electrical components, rudder and elevator control pulleys, cables, de-ice boot tubes, and torque tubes	Refer to AMM-55-10-12-001-B-801 – Overfin Fairing - Removal
332 AR - Right MAD Access Panel Fig. 202, Sheet 3	332	Right magnetic Azimuth Detection (MAD) equipment and connectors	Refer to AMM-55-10-13-001-B-801 – MAD Access Panel - Removal
332 BZ - Elevator Trim Panel Fig. 202, Sheet 2	332	Elevator trim adjuster components and connectors	N/A
351 BB - Rudder Trim Panel Fig. 202, Sheet 2	351	Rudder trim adjuster components and connectors	Refer to AMM-27-23-17-001-801 – Rudder Trim Tab - Removal.
351 CB - Rudder Trim Actuator Panel Fig. 202, Sheet 2	351	Rudder trim actuator components and connectors	Refer to AMM-55-30-10-001-801 – Rudder Trim Actuator Panel - Removal

4. **Nacelle Panels (primary zone 400)**

SUBTASK AMM-06-50-00-051-D-871-003

- A. Panels in primary zone 400 are located on the engine nacelles as described in [Table 204](#). Refer to [Fig. 203, Sheet 1](#), and [Sheet 2](#) for zone 400 panels.

Table 204. Nacelle Panels (Zone 400)

Panel Description	Zone	Gives Access To	Task Reference
411 AT - Left Upper Nacelle Cowl Fig. 203, Sheet 1	411	Engine components (top of engine)	Refer to AMM-54-20-21-001-801 – Upper Nacelle - Removal
411 BL - Left Nacelle Access Door Fig. 203, Sheet 1	411	Engine servicing components (left side of engine)	N/A
411 CB - Left Lower Nacelle Cowl Fig. 203, Sheet 1	411	Engine components (bottom of engine)	Refer to AMM-54-20-22-001-B-801 – Lower Nacelle - Removal
411 DL - Left Tail Cone Nacelle Fig. 203, Sheet 1	411	Engine tail pipe components	Refer to AMM-54-20-24-001-801 – Tail Cone - Removal
411 EB - Left Starter Generator Scoop Fig. 203, Sheet 1	411	Left engine starter generator	Refer to AMM-54-20-22-001-B-801 – Lower Nacelle - Removal
412 AT - Right Upper Nacelle Cowl Fig. 203, Sheet 2	412	Engine components (top of engine)	Refer to AMM-54-20-21-001-801 – Upper Nacelle - Removal
412 BR - Right Nacelle Access Door Fig. 203, Sheet 2	412	Engine servicing components (right side of engine)	N/A
412 CB - Right Lower Nacelle Cowl Fig. 203, Sheet 2	412	Engine components (bottom of engine)	Refer to AMM-54-20-22-001-B-801 – Lower Nacelle - Removal
412 DR - Right Tail Cone Nacelle Fig. 203, Sheet 2	412	Engine tail pipe components	Refer to AMM-54-20-24-001-801 – Tail Cone - Removal

Panel Description	Zone	Gives Access To	Task Reference
412 EB - Right Starter Generator Scoop Fig. 203, Sheet 2	412	Right engine starter generator	Refer to AMM-54-20-22-001-B-801 – Lower Nacelle - Removal

5. Left Wing Panels (primary zone 500)

SUBTASK AMM-06-50-00-051-D-871-004

- A. Panels in primary zone 500 are located on the left wing as described in [Table 205](#). Refer to [Fig. 204, Sheet 1](#), and [Sheet 2](#) for zone 500 panels.

NOTE: For ease of identification, the figures for the wing sections sometimes only show panel numbers and the bay number the panel accesses (i.e., 511 AB BAY 1).

Table 205. Left Wing Panels (Zone 500)

Panel Description	Zone	Gives Access To	Task Reference
511 AB - Wing Access Panel, Bay 1 Fig. 204, Sheet 1	511	Internal wing ribs, spars, and stringers	Refer to AMM-57-10-11-001-801 – Wing Access Panel - Removal (effectivity noted)
511 BB - Wing Access Panel, Bay 1 Fig. 204, Sheet 1	511	Internal wing ribs, spars, and stringers	Refer to AMM-57-10-11-001-801 – Wing Access Panel - Removal (effectivity noted)
511 CB - Wing Access Panel, Bay 3 Fig. 204, Sheet 1	511	Internal wing ribs, spars, and stringers	Refer to AMM-57-10-11-001-801 – Wing Access Panel - Removal (effectivity noted)
511 DB - Wing Access Panel, Bay 4 Fig. 204, Sheet 1	511	Internal wing ribs, spars, and stringers	Refer to AMM-57-10-11-001-801 – Wing Access Panel - Removal (effectivity noted)
511 EB - Wing Access Panel, Bay 4 Fig. 204, Sheet 1	511	Internal wing ribs, spars, and stringers	Refer to AMM-57-10-11-001-801 – Wing Access Panel - Removal (effectivity noted)
511 HB - Left Main Landing Gear Access Panel Fig. 204, Sheet 1	511	Flap actuator and MLG Trunnion	Refer to AMM-57-10-11-001-801 – Wing Access Panel - Removal (effectivity noted)

Panel Description	Zone	Gives Access To	Task Reference
521 AB - Wing Access Panel, Bay 5 Fig. 204, Sheet 1	521	Internal wing ribs, spars, and stringers	Refer to AMM-57-10-11-001-801 – Wing Access Panel - Removal (effectivity noted)
521 BB - Wing Access Panel, Bay 6 Fig. 204, Sheet 1	521	Internal wing ribs, spars, and stringers	Refer to AMM-57-10-11-001-801 – Wing Access Panel - Removal (effectivity noted)
521 CB - Wing Access Panel, Bay 7 Fig. 204, Sheet 1	521	Internal wing ribs, spars, and stringers	Refer to AMM-57-10-11-001-801 – Wing Access Panel - Removal (effectivity noted)
521 DB - Wing Access Panel, Bay 8 Fig. 204, Sheet 1	521	Internal wing ribs, spars, and stringers	Refer to AMM-57-10-11-001-801 – Wing Access Panel - Removal (effectivity noted)
521 EB - Wing Access Panel, Bay 9 Fig. 204, Sheet 1	521	Internal wing ribs, spars, and stringers	Refer to AMM-57-10-11-001-801 – Wing Access Panel - Removal (effectivity noted)
521 FB - Wing Access Panel, Bay 10 Fig. 204, Sheet 1	521	Internal wing ribs, spars, and stringers	Refer to AMM-57-10-11-001-801 – Wing Access Panel - Removal (effectivity noted)
521 GB - Wing Access Panel, Bay 10 Fig. 204, Sheet 1	521	Internal wing ribs, spars, and stringers	Refer to AMM-57-10-11-001-801 – Wing Access Panel - Removal (effectivity noted)
521 HB - Aileron Access Panel, Inboard Fig. 204, Sheet 1	521	Aileron hinge assembly	N/A
521 JB - Aileron Access Panel, Mid No 1 Fig. 204, Sheet 1	521	Aileron hinge assembly	N/A
531 AB - Wing Access Panel, Bay 11 Fig. 204, Sheet 1	531	Internal wing ribs, spars, and stringers	Refer to AMM-57-10-11-001-801 – Wing Access Panel - Removal (effectivity noted)

Panel Description	Zone	Gives Access To	Task Reference
531 BB - Wing Access Panel, Bay 11 Fig. 204, Sheet 1	531	Internal wing ribs, spars, and stringers	Refer to AMM-57-10-11-001-801 – Wing Access Panel - Removal (effectivity noted)
531 CB - Wing Access Panel, Bay 12 Fig. 204, Sheet 1	531	Internal wing ribs, spars, and stringers	Refer to AMM-57-10-11-001-801 – Wing Access Panel - Removal (effectivity noted)
531 DB - Wing Access Panel, Bay 12 Fig. 204, Sheet 1	531	Internal wing ribs, spars, and stringers	Refer to AMM-57-10-11-001-801 – Wing Access Panel - Removal (effectivity noted)
531 GL - Left Forward Tip Tank Fairing Fig. 204, Sheet 2	531	Light assembly, tip tank components, and structure	Refer to AMM-57-30-11-001-801 – Tip Tank Fwd Skin - Removal (effectivity noted)
531 HL - Left Aft Wing Tip Tank Fairing Fig. 204, Sheet 2	531	Tip tank components and structure	Refer to AMM-57-30-12-001-801 – Tip Tank Tailcone Skin - Removal
531 JB - Aileron Access Panel, Mid No 2 Fig. 204, Sheet 1	531	Aileron hinge assembly	N/A
531 KB - Aileron Access Panel, Outboard Fig. 204, Sheet 1	531	Aileron linkage/trim adjuster components	N/A
531 LB - Tip Tank Access Panel Fig. 204, Sheet 1	531	Tip tank components and structure	Refer to AMM-57-10-11-001-801 – Wing Access Panel - Removal (effectivity noted)
531 LL - Left Wing Trailing Edge to Tip Tank Fairing Fig. 204, Sheet 1	531	N/A	Refer to AMM-57-30-10-001-801 – Tip Tank Aft Fairing - Removal (effectivity noted)
531 MB - Tip Tank Access Panel Fig. 204, Sheet 1	531	Tip tank components and structure	Refer to AMM-57-10-11-001-801 – Wing Access Panel - Removal (effectivity noted)

6. Right Wing Panels (primary zone 600)

SUBTASK AMM-06-50-00-051-D-871-005

- A. Panels in primary zone 600 are located on the right wing as described in [Table 206](#). Refer to [Fig. 205, Sheet 1](#), and [Sheet 2](#) for zone 600 panels.

NOTE: For ease of identification, the figures for the wing sections sometimes only show panel numbers and the bay number the panel accesses (i.e., 612 AB BAY 1).

Table 206. Right Wing Panels (Zone 600)

Panel Description	Zone	Gives Access To	Task Reference
612 AB - Wing Access Panel, Bay 1 Fig. 205, Sheet 1	612	Internal wing ribs, spars, and stringers	Refer to AMM-57-10-11-001-801 – Wing Access Panel - Removal (effectivity noted)
612 BB - Wing Access Panel, Bay 1 Fig. 205, Sheet 1	612	Internal wing ribs, spars, and stringers	Refer to AMM-57-10-11-001-801 – Wing Access Panel - Removal (effectivity noted)
612 CB - Wing Access Panel, Bay 3 Fig. 205, Sheet 1	612	Internal wing ribs, spars, and stringers	Refer to AMM-57-10-11-001-801 – Wing Access Panel - Removal (effectivity noted)
612 DB - Wing Access Panel, Bay 4 Fig. 205, Sheet 1	612	Internal wing ribs, spars, and stringers	Refer to AMM-57-10-11-001-801 – Wing Access Panel - Removal (effectivity noted)
612 EB - Wing Access Panel, Bay 4 Fig. 205, Sheet 1	612	Internal wing ribs, spars, and stringers	Refer to AMM-57-10-11-001-801 – Wing Access Panel - Removal (effectivity noted)
612 HB - Right Main Landing Gear Access Panel Fig. 205, Sheet 1	612	Flap actuator and MLG Trunnion	Refer to AMM-57-10-11-001-801 – Wing Access Panel - Removal (effectivity noted)
622 AB - Wing Access Panel, Bay 5 Fig. 205, Sheet 1	622	Internal wing ribs, spars, and stringers	Refer to AMM-57-10-11-001-801 – Wing Access Panel - Removal (effectivity noted)

Panel Description	Zone	Gives Access To	Task Reference
622 BB - Wing Access Panel, Bay 6 Fig. 205, Sheet 1	622	Internal wing ribs, spars, and stringers	Refer to AMM-57-10-11-001-801 – Wing Access Panel - Removal (effectivity noted)
622 CB - Wing Access Panel, Bay 7 Fig. 205, Sheet 1	622	Internal wing ribs, spars, and stringers	Refer to AMM-57-10-11-001-801 – Wing Access Panel - Removal (effectivity noted)
622 DB - Wing Access Panel, Bay 8 Fig. 205, Sheet 1	622	Internal wing ribs, spars, and stringers	Refer to AMM-57-10-11-001-801 – Wing Access Panel - Removal (effectivity noted)
622 EB - Wing Access Panel, Bay 9 Fig. 205, Sheet 1	622	Internal wing ribs, spars, and stringers	Refer to AMM-57-10-11-001-801 – Wing Access Panel - Removal (effectivity noted)
622 FB - Wing Access Panel, Bay 10 Fig. 205, Sheet 1	622	Internal wing ribs, spars, and stringers	Refer to AMM-57-10-11-001-801 – Wing Access Panel - Removal (effectivity noted)
622 GB - Wing Access Panel, Bay 10 Fig. 205, Sheet 1	622	Internal wing ribs, spars, and stringers	Refer to AMM-57-10-11-001-801 – Wing Access Panel - Removal (effectivity noted)
622 HB - Aileron Access Panel, Inboard Fig. 205, Sheet 1	622	Aileron hinge assembly	N/A
622 JB - Aileron Access Panel, Mid No 1 Fig. 205, Sheet 1	622	Aileron hinge assembly	N/A
632 AB - Wing Access Panel, Bay 11 Fig. 205, Sheet 1	632	Internal wing ribs, spars, and stringers	Refer to AMM-57-10-11-001-801 – Wing Access Panel - Removal (effectivity noted)
632 BB - Wing Access Panel, Bay 11 Fig. 205, Sheet 1	632	Internal wing ribs, spars, and stringers	Refer to AMM-57-10-11-001-801 – Wing Access Panel - Removal (effectivity noted)

Panel Description	Zone	Gives Access To	Task Reference
632 CB - Wing Access Panel, Bay 12 Fig. 205, Sheet 1	632	Internal wing ribs, spars, and stringers	Refer to AMM-57-10-11-001-801 – Wing Access Panel - Removal (effectivity noted)
632 DB - Wing Access Panel, Bay 12 Fig. 205, Sheet 1	632	Internal wing ribs, spars, and stringers	Refer to AMM-57-10-11-001-801 – Wing Access Panel - Removal (effectivity noted)
632 GR - Right Forward Tip Tank Fairing Fig. 205, Sheet 2	632	Light assembly, tip tank components, and structure	Refer to AMM-57-30-11-001-801 – Tip Tank Fwd Skin - Removal (effectivity noted)
632 HR - Right Aft Wing Tip Tank Fairing Fig. 205, Sheet 2	632	Tip tank components and structure	Refer to AMM-57-30-12-001-801 – Tip Tank Tailcone Skin - Removal
632 JB - Aileron Access Panel, Mid No 2 Fig. 205, Sheet 1	632	Aileron hinge assembly	N/A
632 KB - Aileron Access Panel, Outboard Fig. 205, Sheet 1	632	Aileron linkage/trim adjuster components	N/A
632 LB - Tip Tank Access Panel Fig. 205, Sheet 1	632	Tip tank components and structure	Refer to AMM-57-10-11-001-801 – Wing Access Panel - Removal (effectivity noted)
632 LR - Right Wing Trailing Edge to Tip Tank Fairing Fig. 205, Sheet 1	632	N/A	Refer to AMM-57-30-10-001-801 – Tip Tank Aft Fairing - Removal (effectivity noted)
632 MB - Tip Tank Access Panel Fig. 205, Sheet 1	632	Tip tank components and structure	Refer to AMM-57-10-11-001-801 – Wing Access Panel - Removal (effectivity noted)

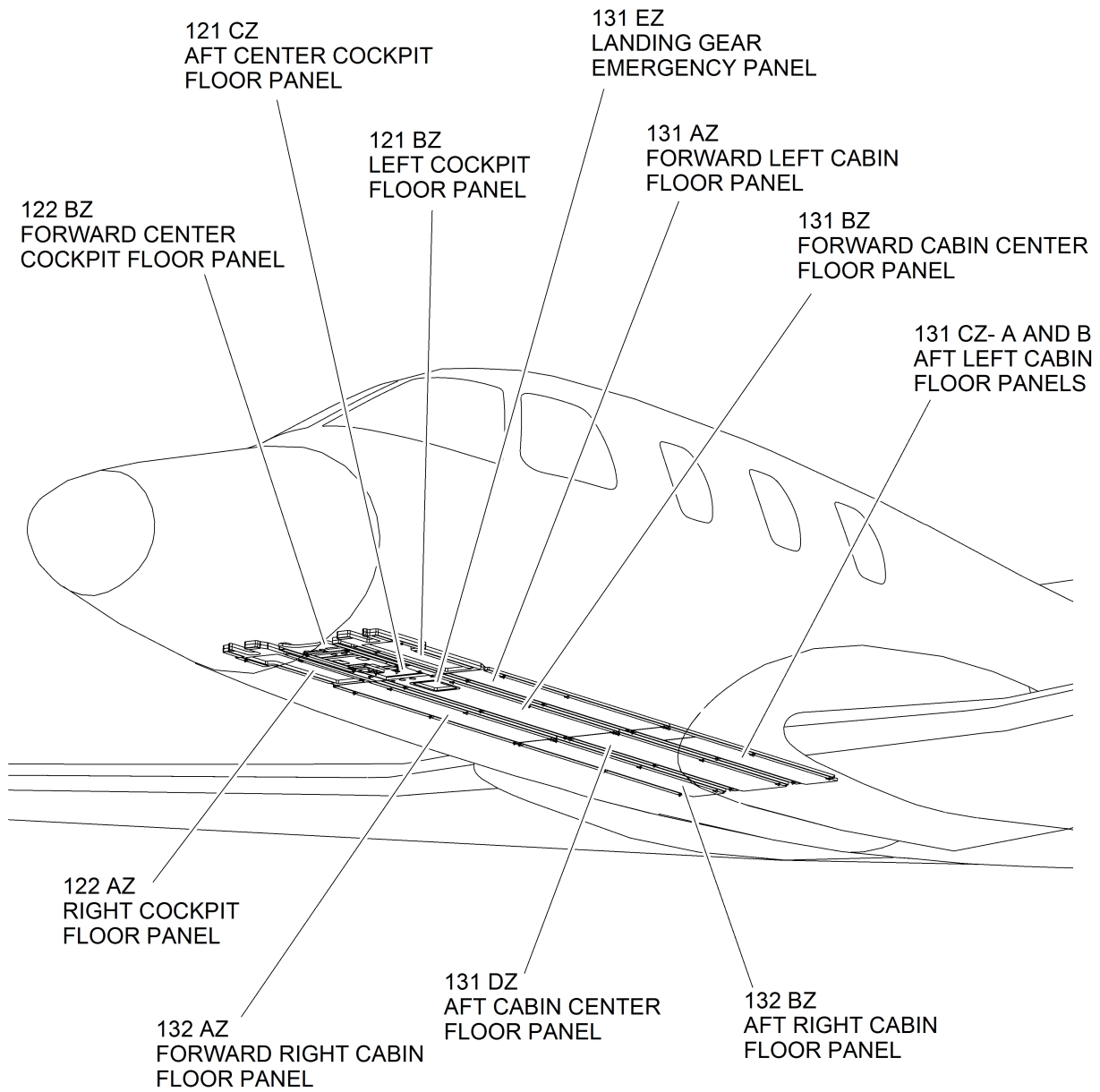
7. **Landing Gear Panels (primary zone 700)**

SUBTASK AMM-06-50-00-051-D-871-006

- A. Panels in primary zone 700 are the landing gear as described in [Table 207](#). Refer to [Fig. 206, Sheet 1](#) for zone 700 panels.

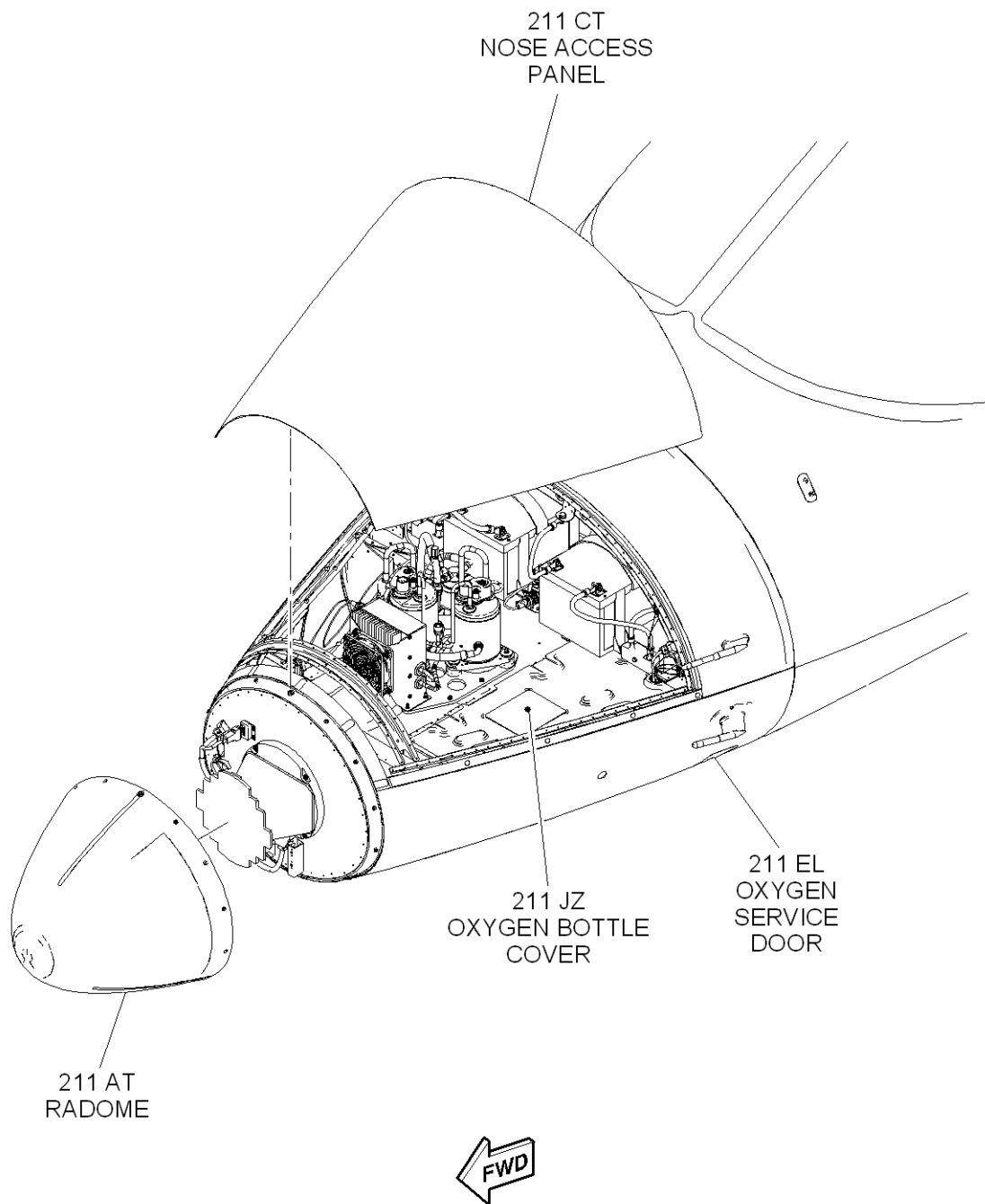
Table 207. Landing Gear Panels (Zone 700)

Panel Description	Zone	Gives Access To	Task Reference
711 AL - Main Landing Gear (MLG) Door Fig. 206, Sheet 1	711	All left MLG components, wheel well structure, gear linkages, and actuators	Refer to AMM-52-82-10-001-801 – Main Gear Door Assembly - Removal
711 BL - Lower Main Landing Gear (MLG) Door Fig. 206, Sheet 1	711	All left MLG components, wheel well structure, gear linkages, and actuators	Refer to AMM-52-82-11-001-801 – Main Gear Lower Door Assembly - Removal
712 AR - Main Landing Gear (MLG) Door Fig. 206, Sheet 1	712	All right MLG components, wheel well structure, gear linkages, and actuators	Refer to AMM-52-82-10-001-801 – Main Gear Door Assembly - Removal
712 BR - Lower Main Landing Gear (MLG) Door Fig. 206, Sheet 1	712	All right MLG components, wheel well structure, gear linkages, and actuators	Refer to AMM-52-82-11-001-801 – Main Gear Lower Door Assembly - Removal
721 AL - Left Forward NLG Door Fig. 206, Sheet 1	721	All NLG components, wheel well structure, gear linkages, and actuators	Refer to AMM-52-81-10-001-801 – Nose Gear Forward Doors - Removal
721 BA - NLG Spade Door Fig. 206, Sheet 1	721	NLG components, gear linkages, and actuators	Refer to AMM-52-81-11-001-801 – Nose Gear Spade Door Assembly - Removal
721 CR - Right Forward NLG Door Fig. 206, Sheet 1	721	NLG components, wheel well structure, gear linkages, and actuators	Refer to AMM-52-81-10-001-801 – Nose Gear Forward Doors - Removal

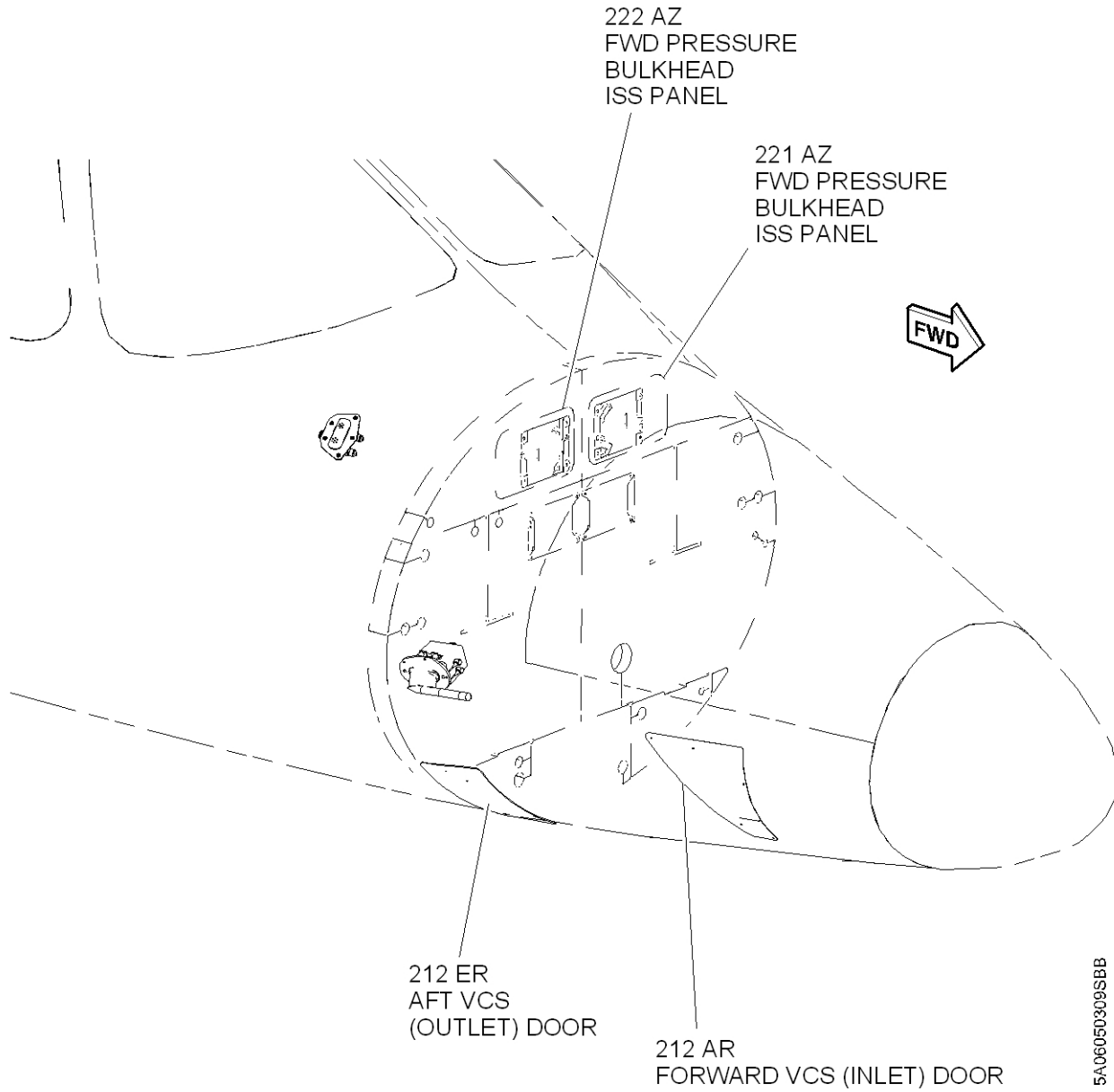


5A06050307SBE

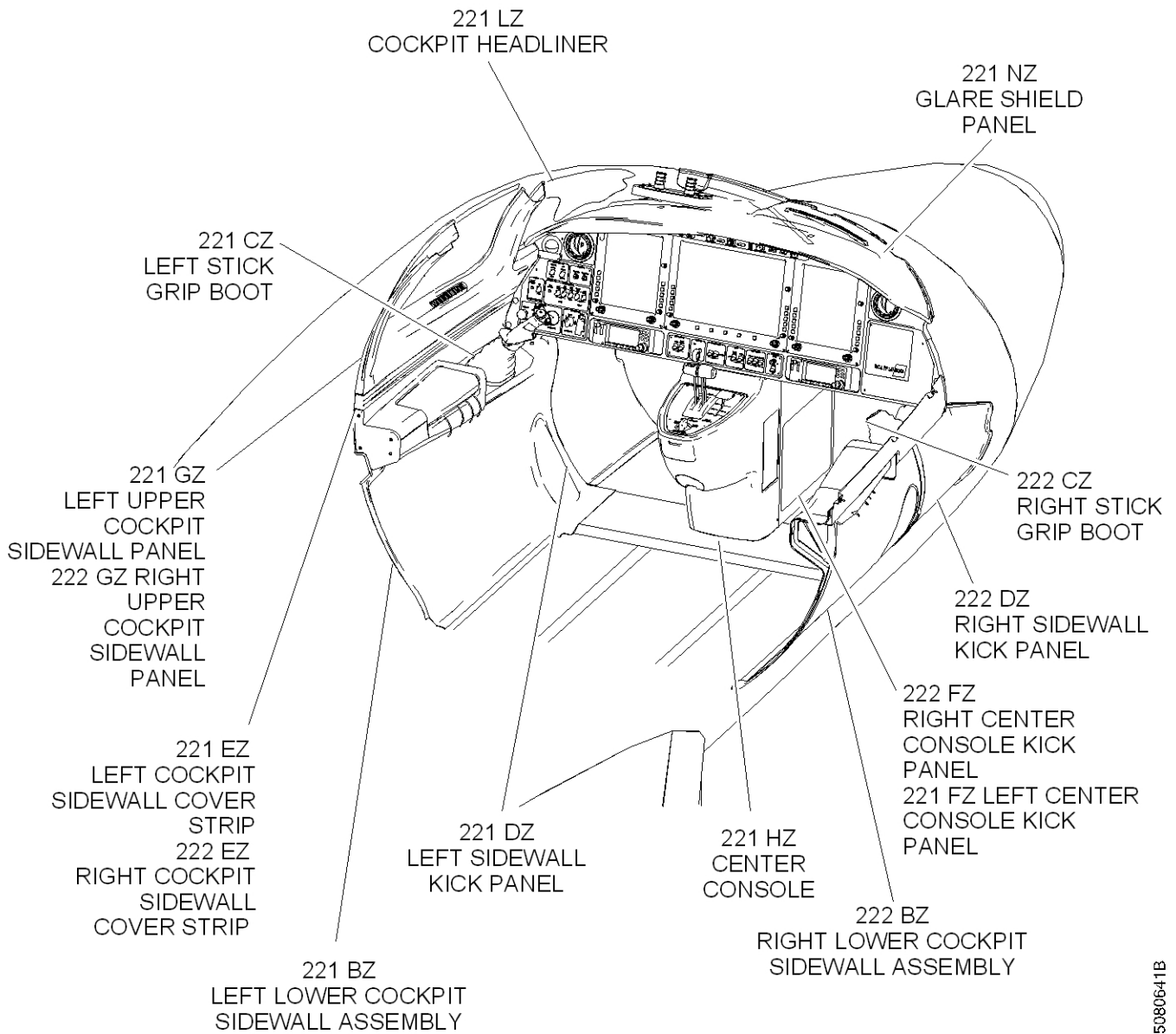
Fuselage Panels
Figure 201 (Sheet 1 of 9)



Fuselage Panels
Figure 201 (Sheet 2 of 9)

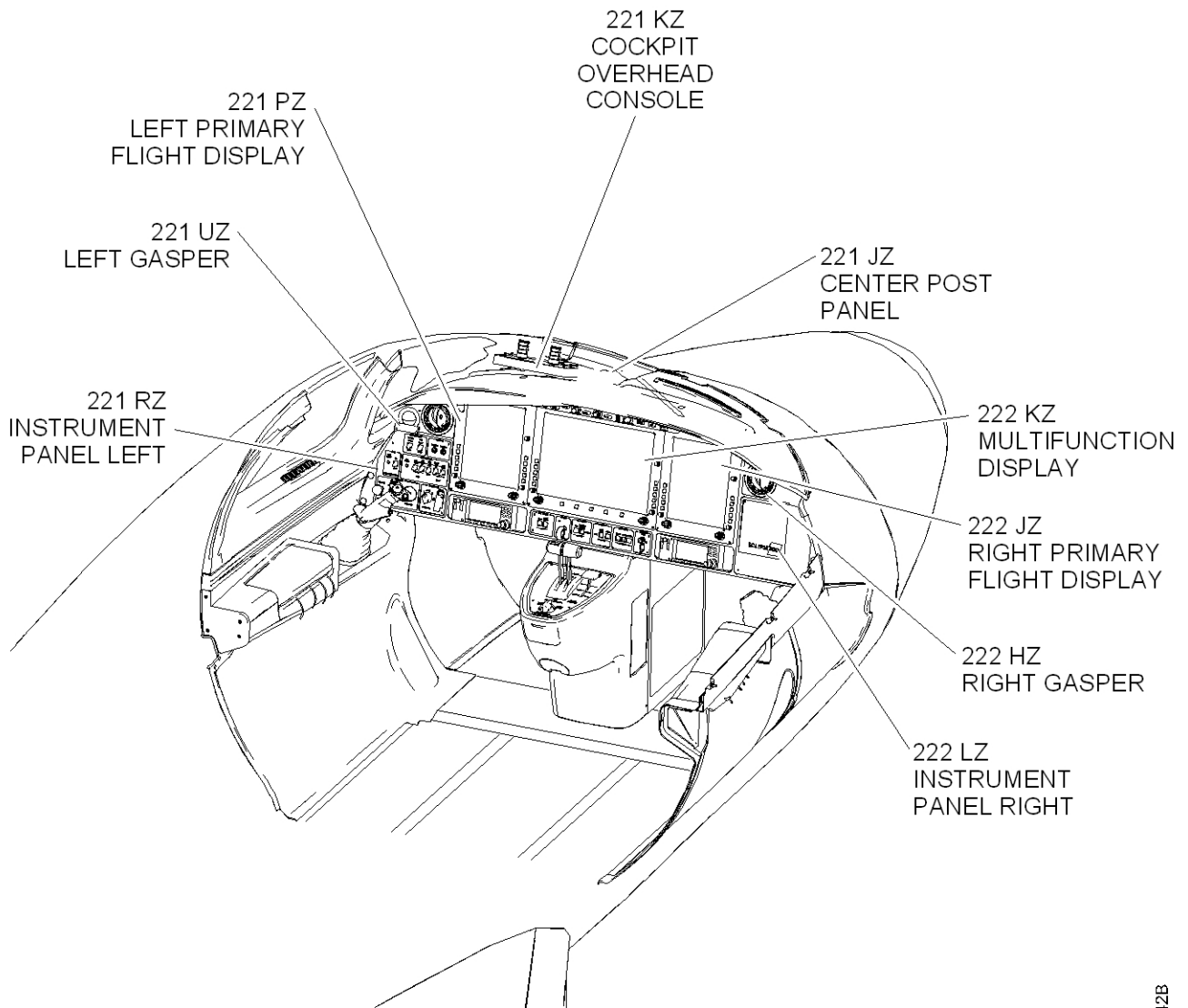


Fuselage Panels
Figure 201 (Sheet 3 of 9)



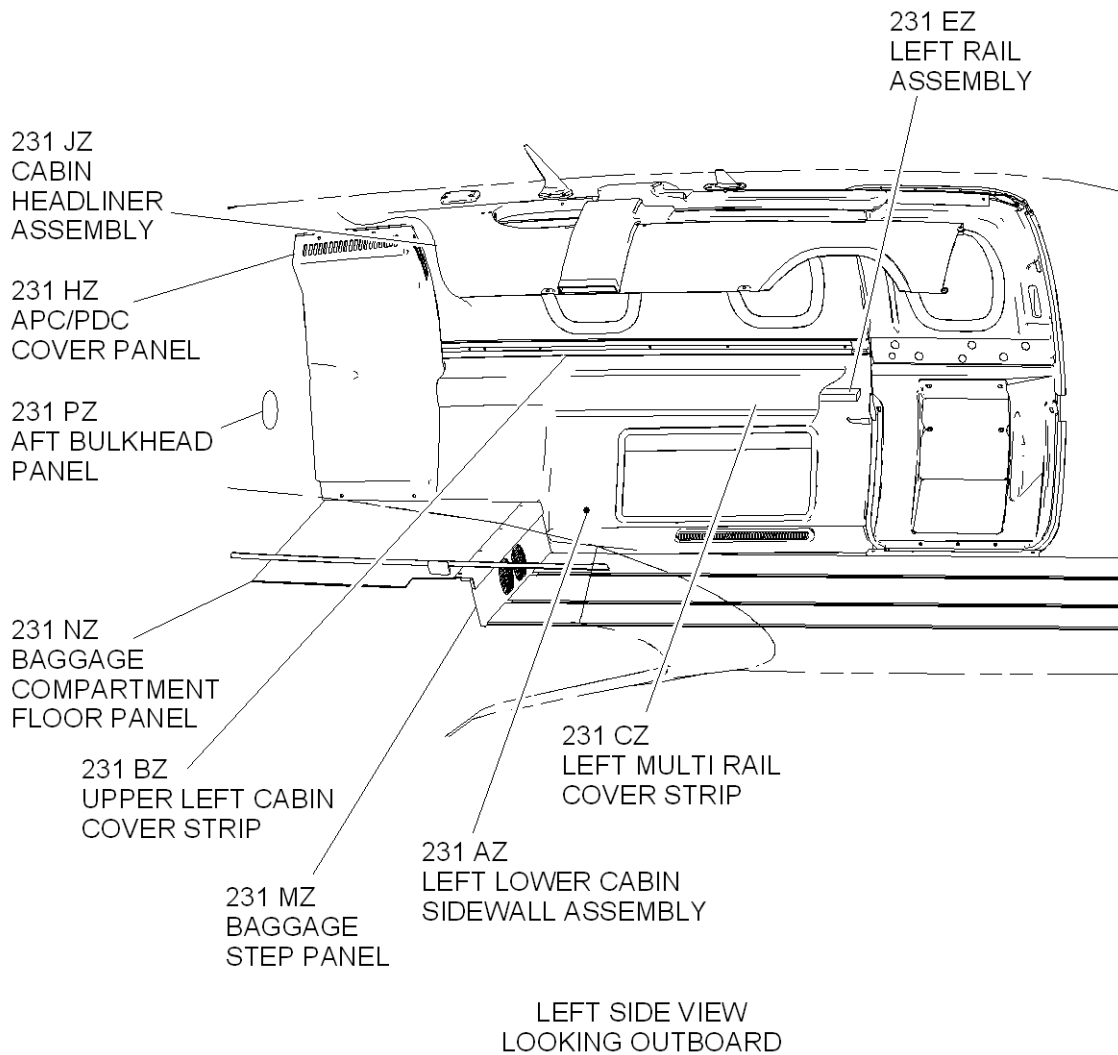
5080641B

Fuselage Panels
Figure 201 (Sheet 4 of 9)



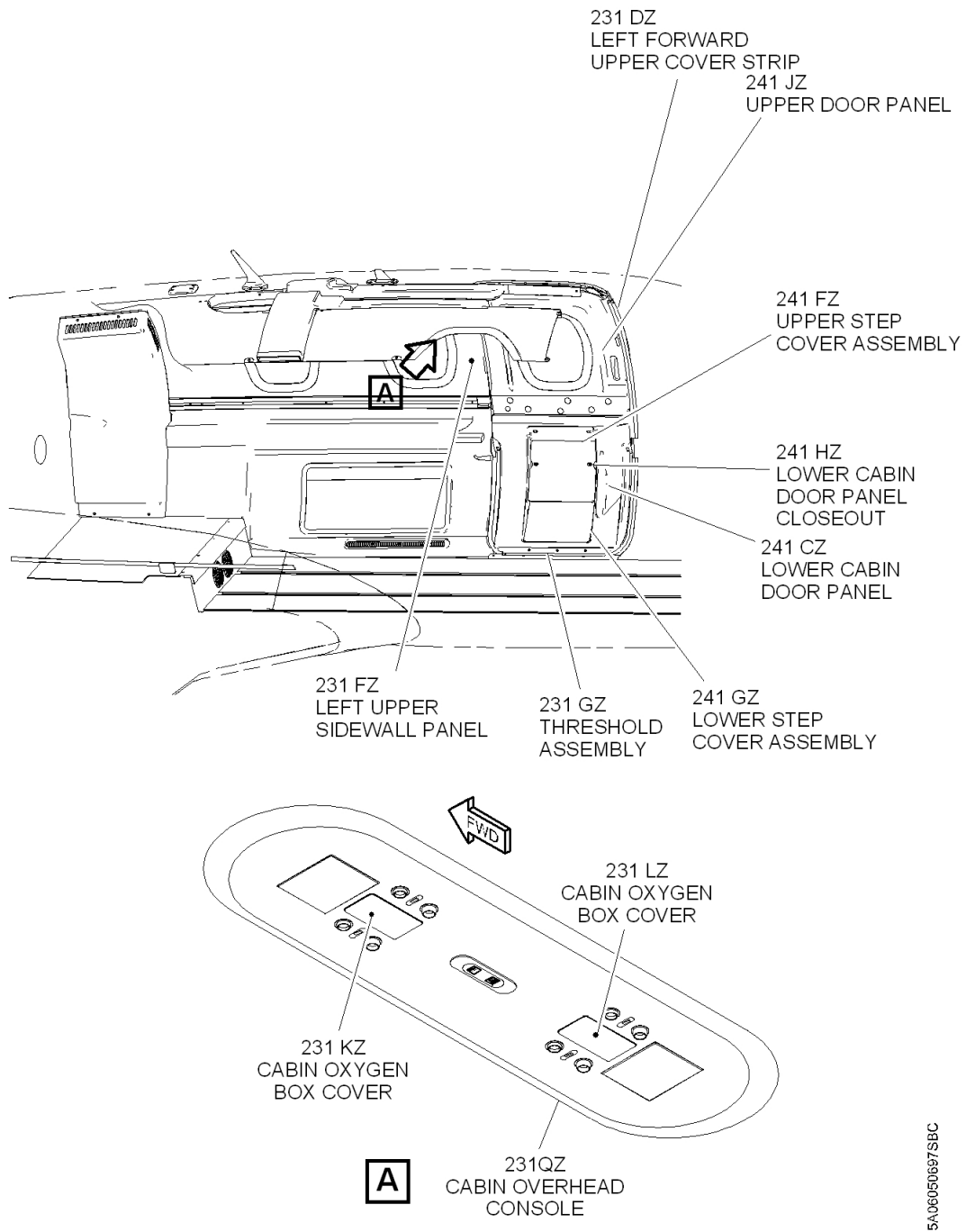
5080642B

Fuselage Panels
Figure 201 (Sheet 5 of 9)

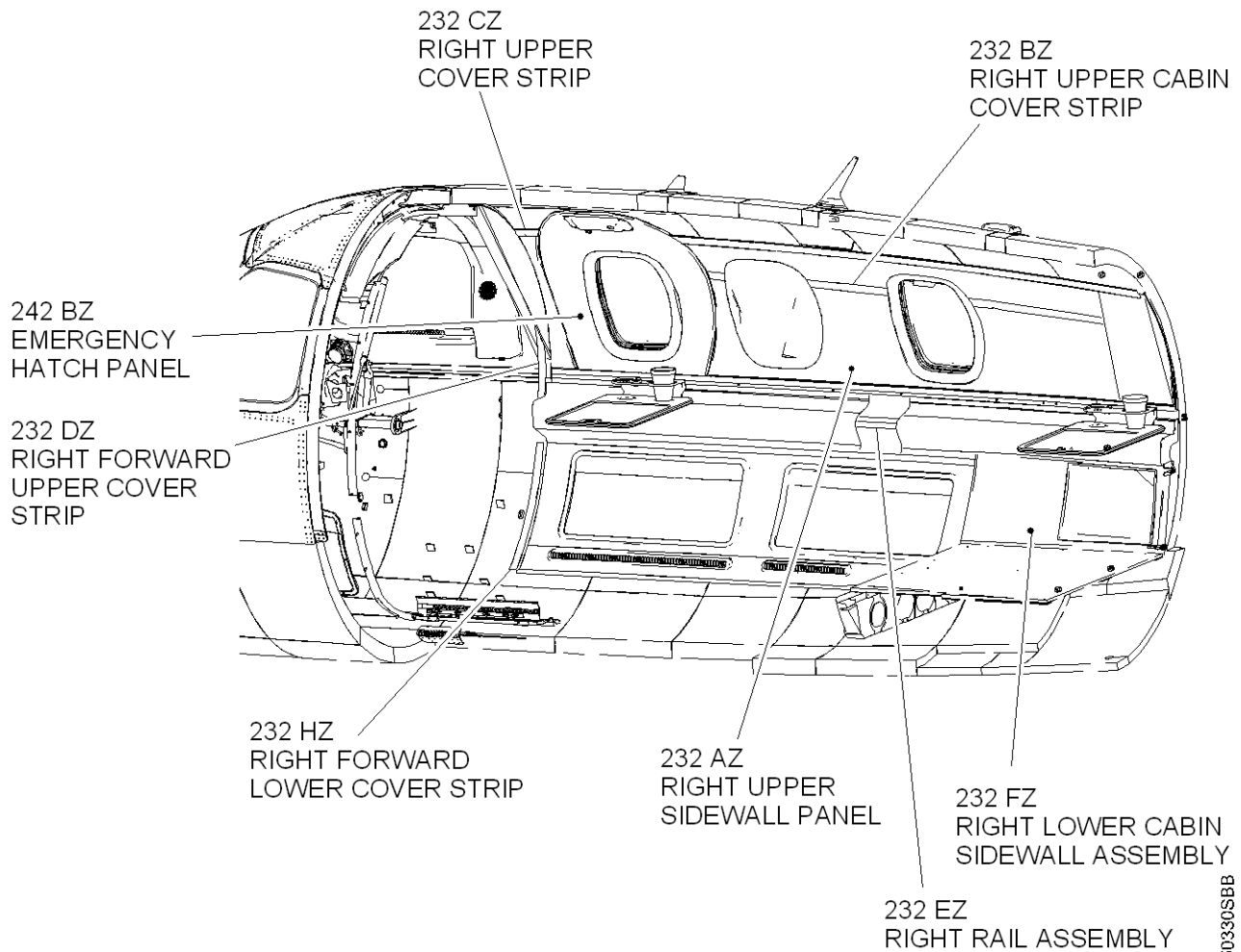


5A06050311SBB

Fuselage Panels
Figure 201 (Sheet 6 of 9)

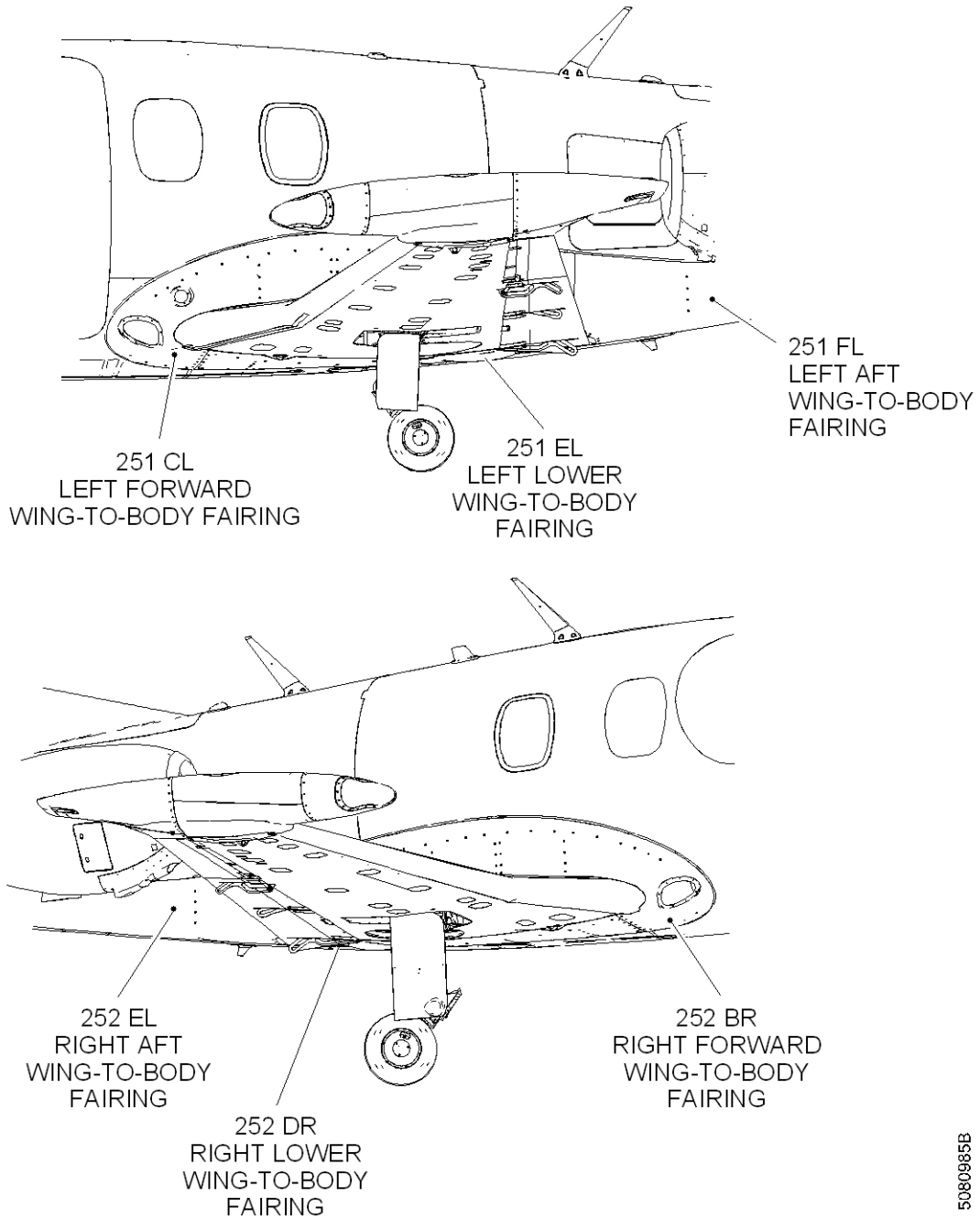


Fuselage Panels
Figure 201 (Sheet 7 of 9)

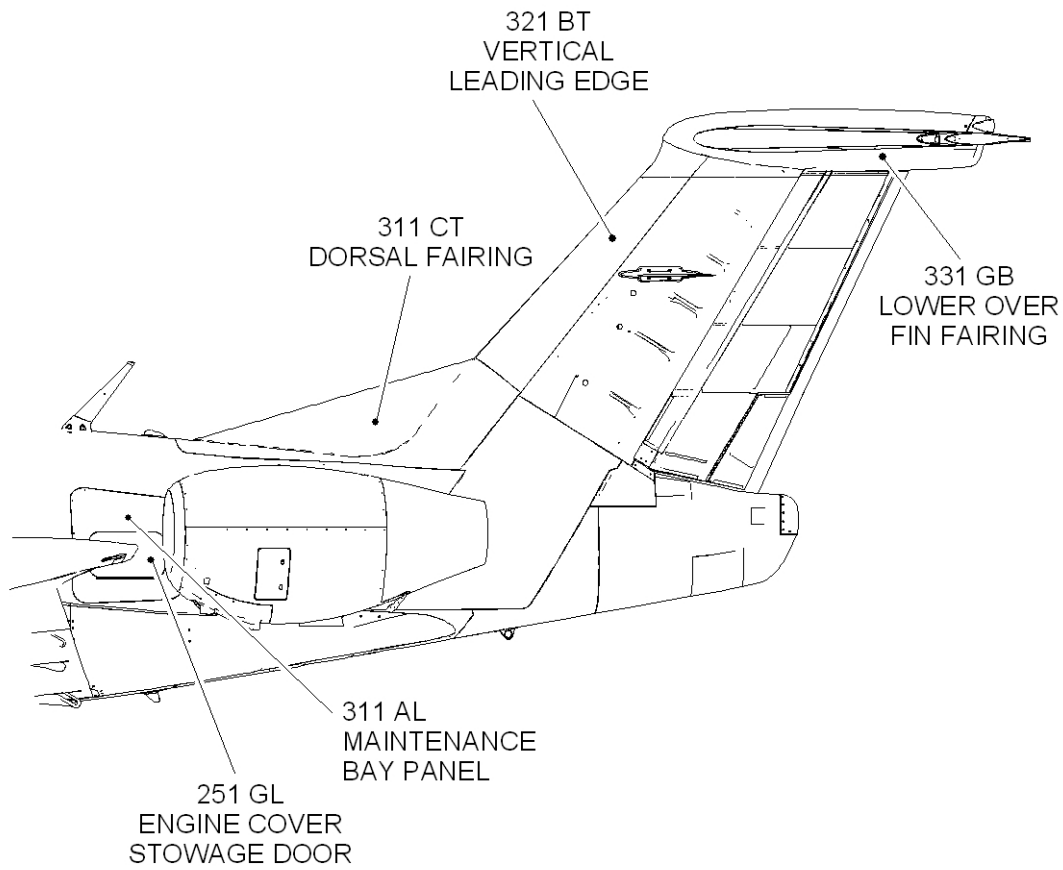


5A06050330SBB

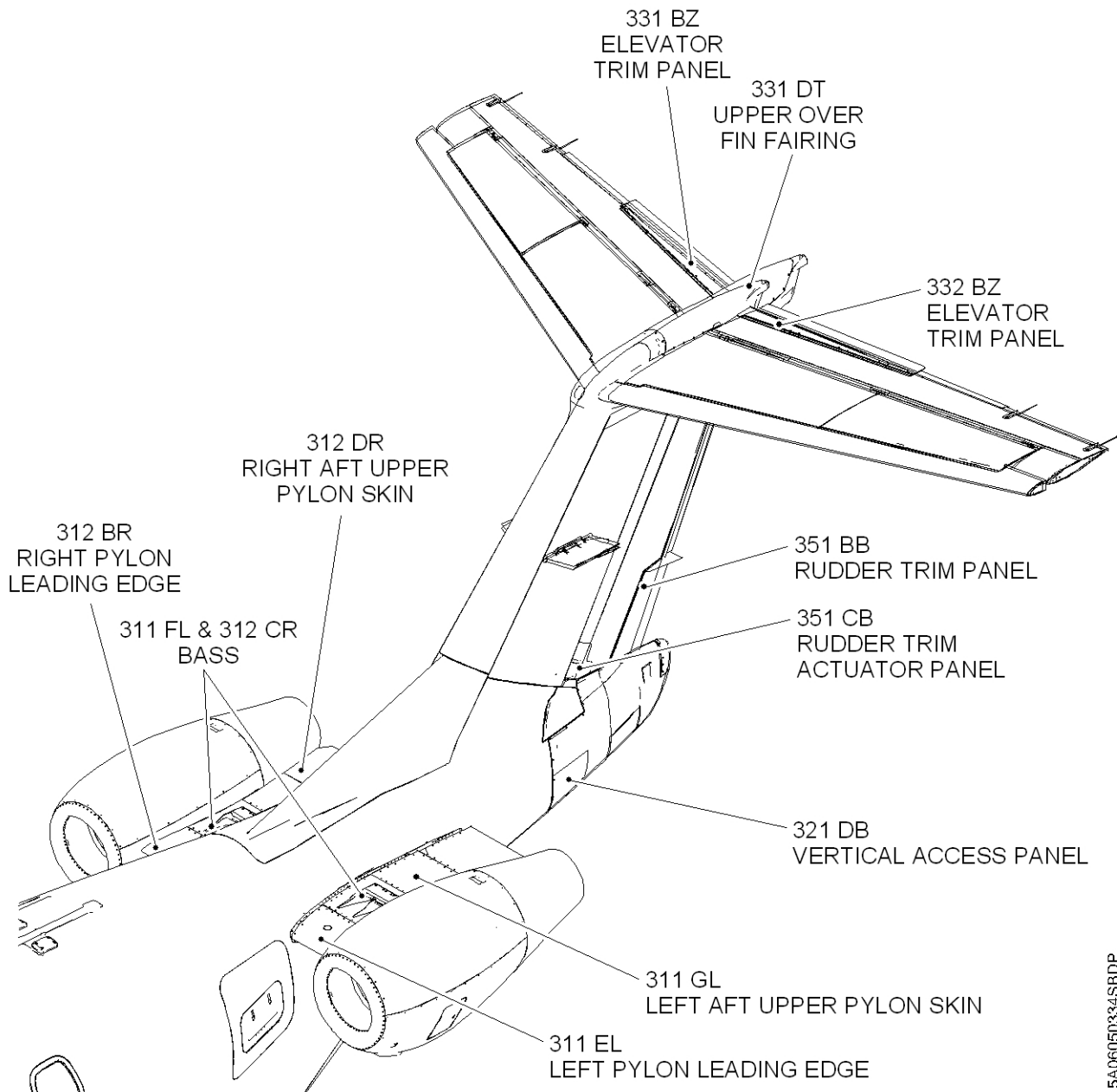
Fuselage Panels
Figure 201 (Sheet 8 of 9)



Fuselage Panels
Figure 201 (Sheet 9 of 9)

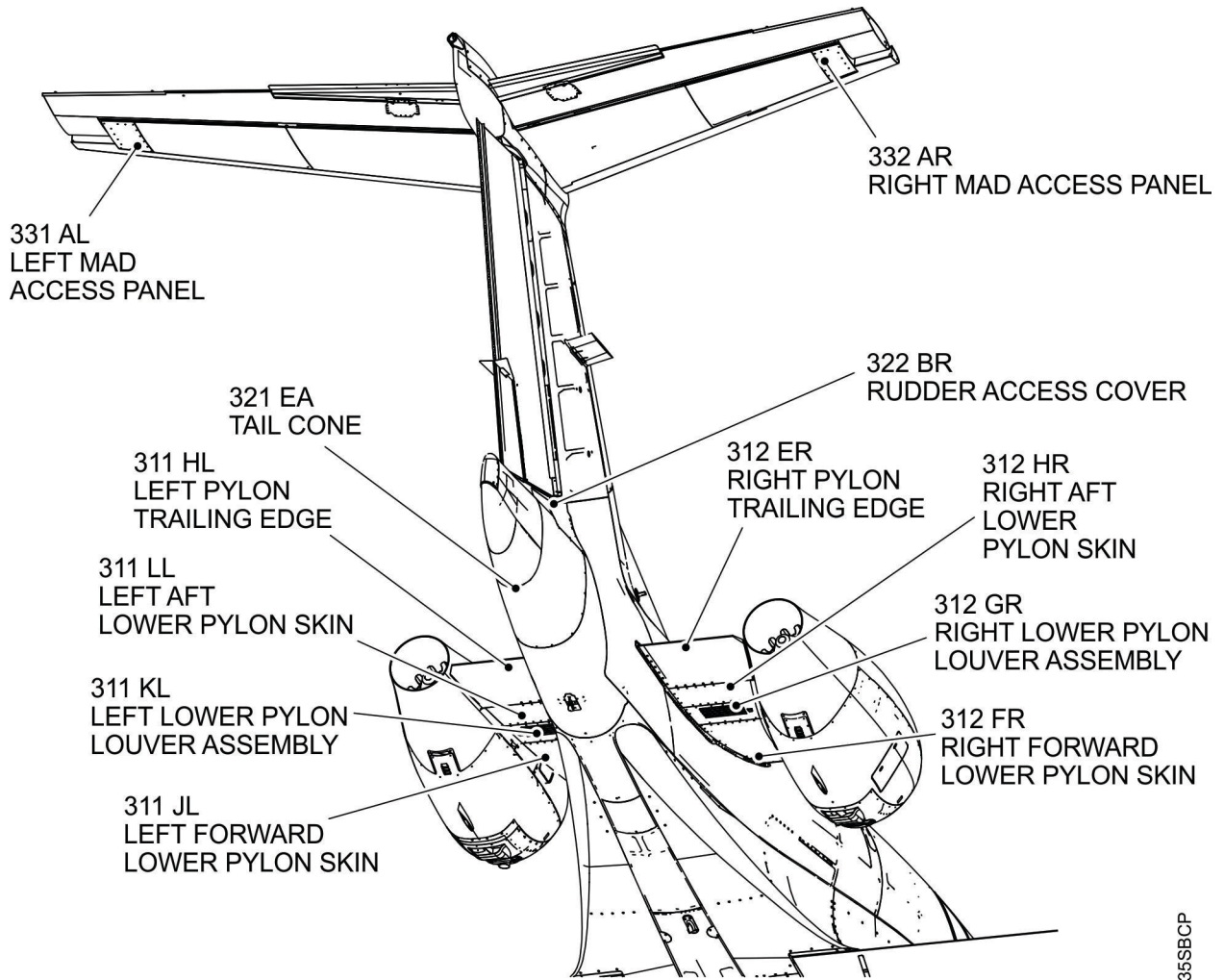


Empennage Panels
Figure 202 (Sheet 1 of 3)



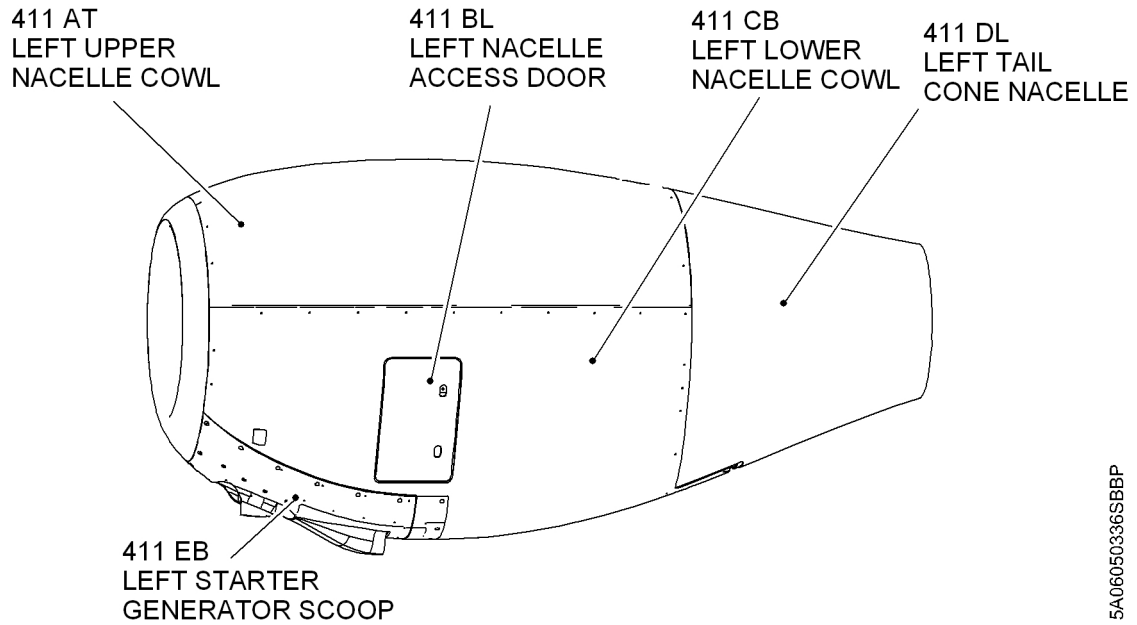
5A06050334SBDP

Empennage Panels
Figure 202 (Sheet 2 of 3)

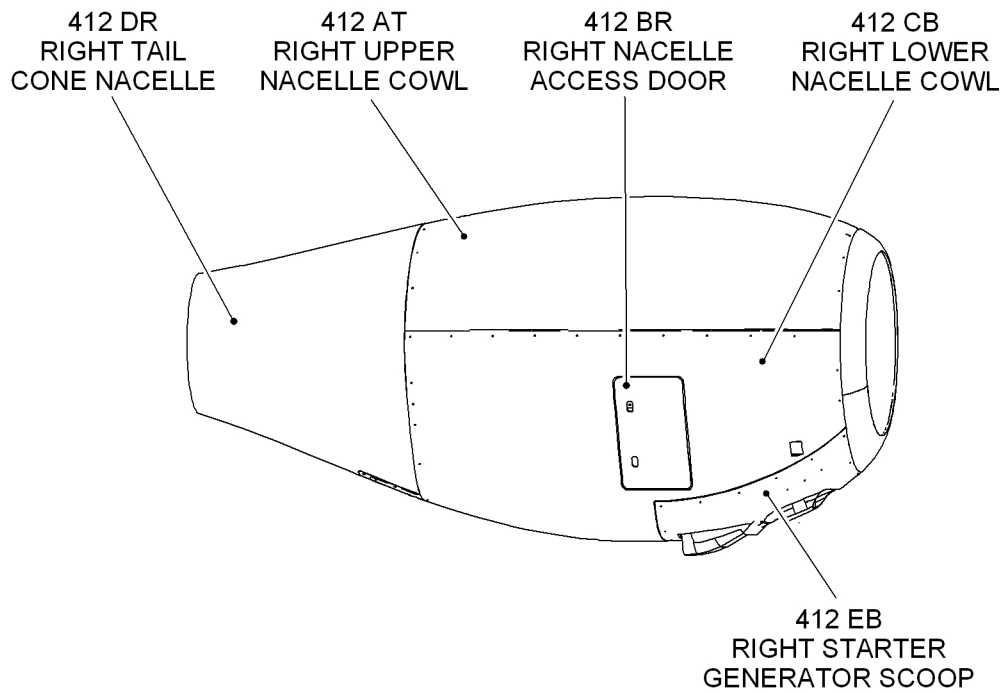


5A06050335SBCP

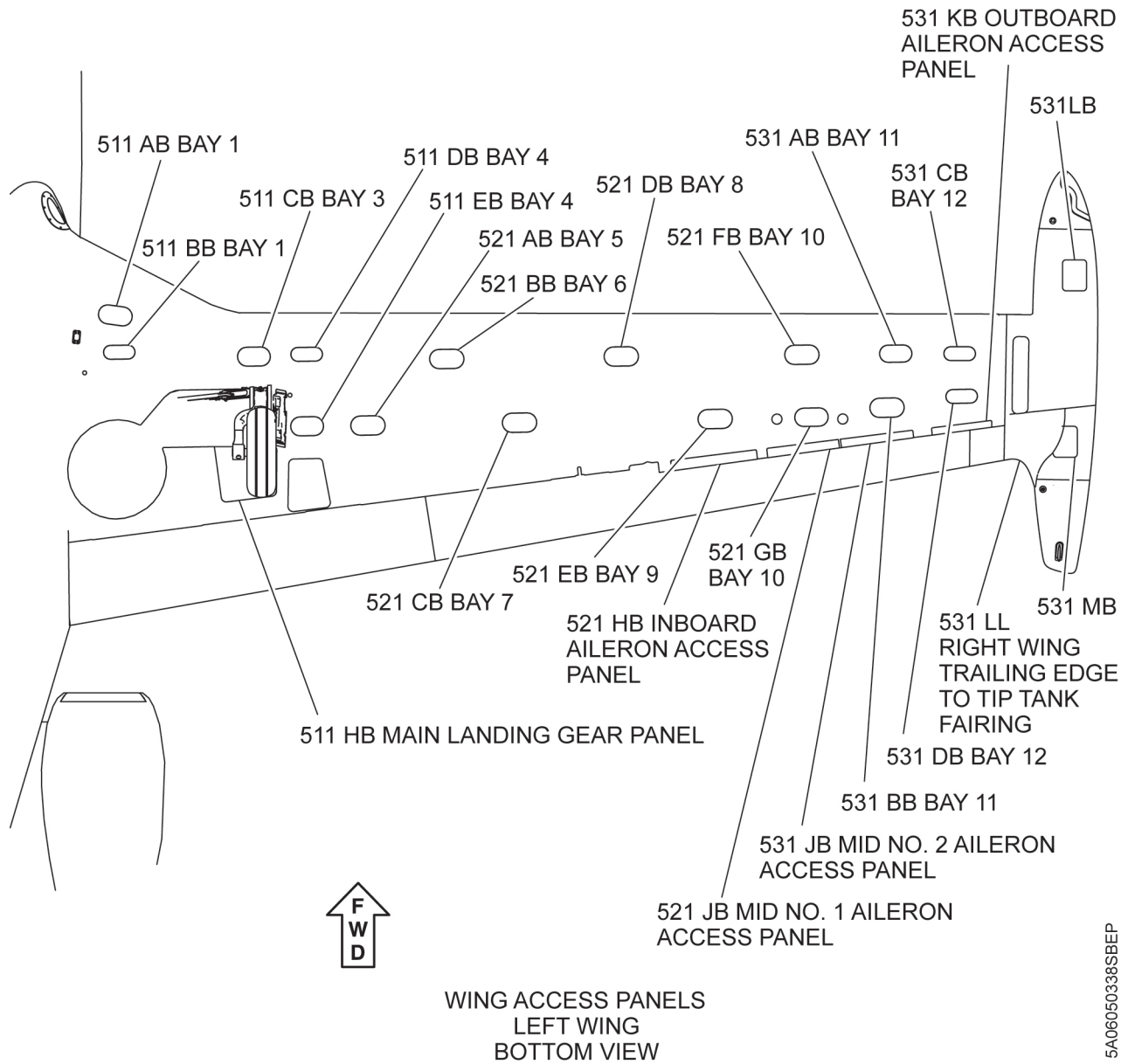
Empennage Panels
Figure 202 (Sheet 3 of 3)



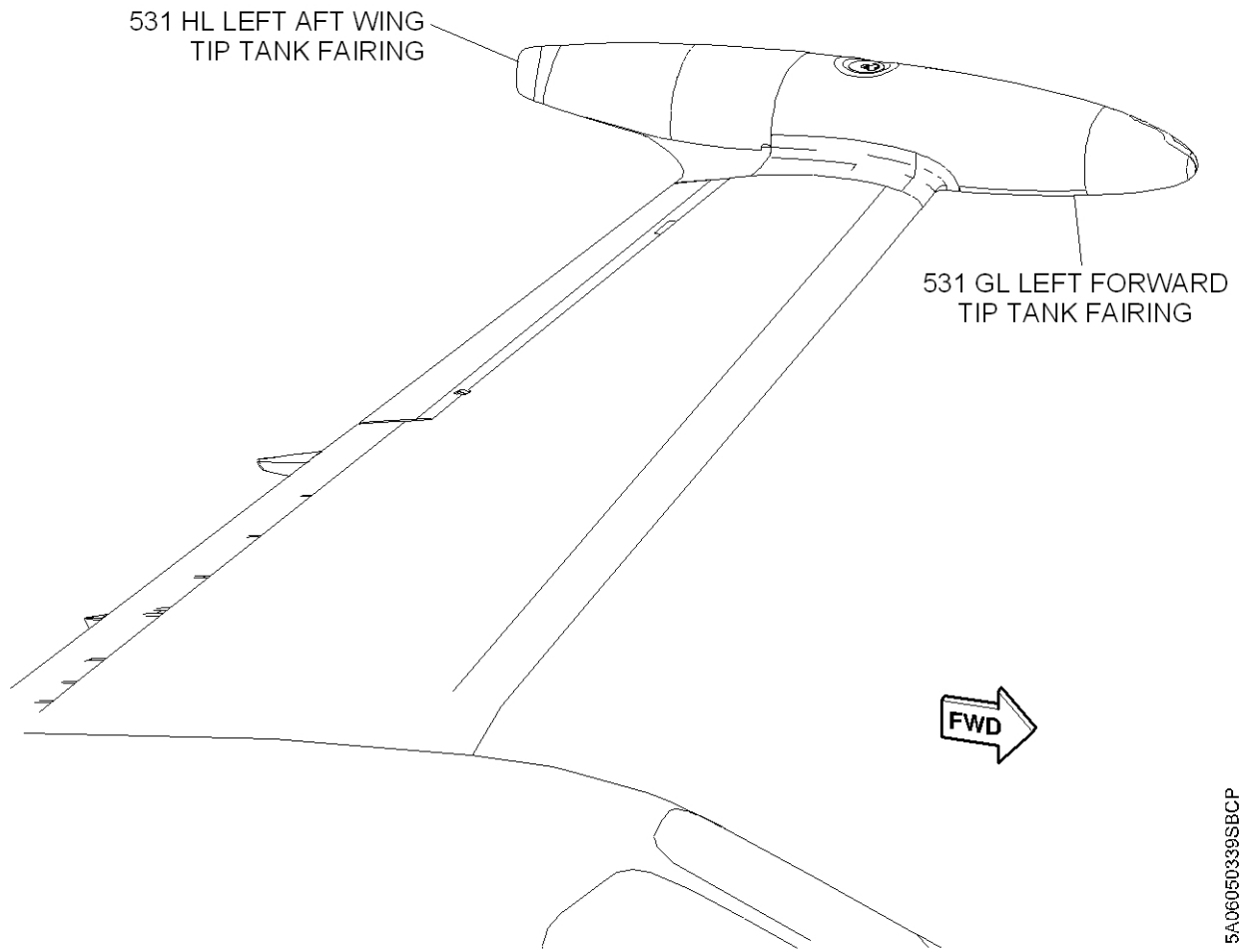
Nacelle Panels
Figure 203 (Sheet 1 of 2)



Nacelle Panels
Figure 203 (Sheet 2 of 2)

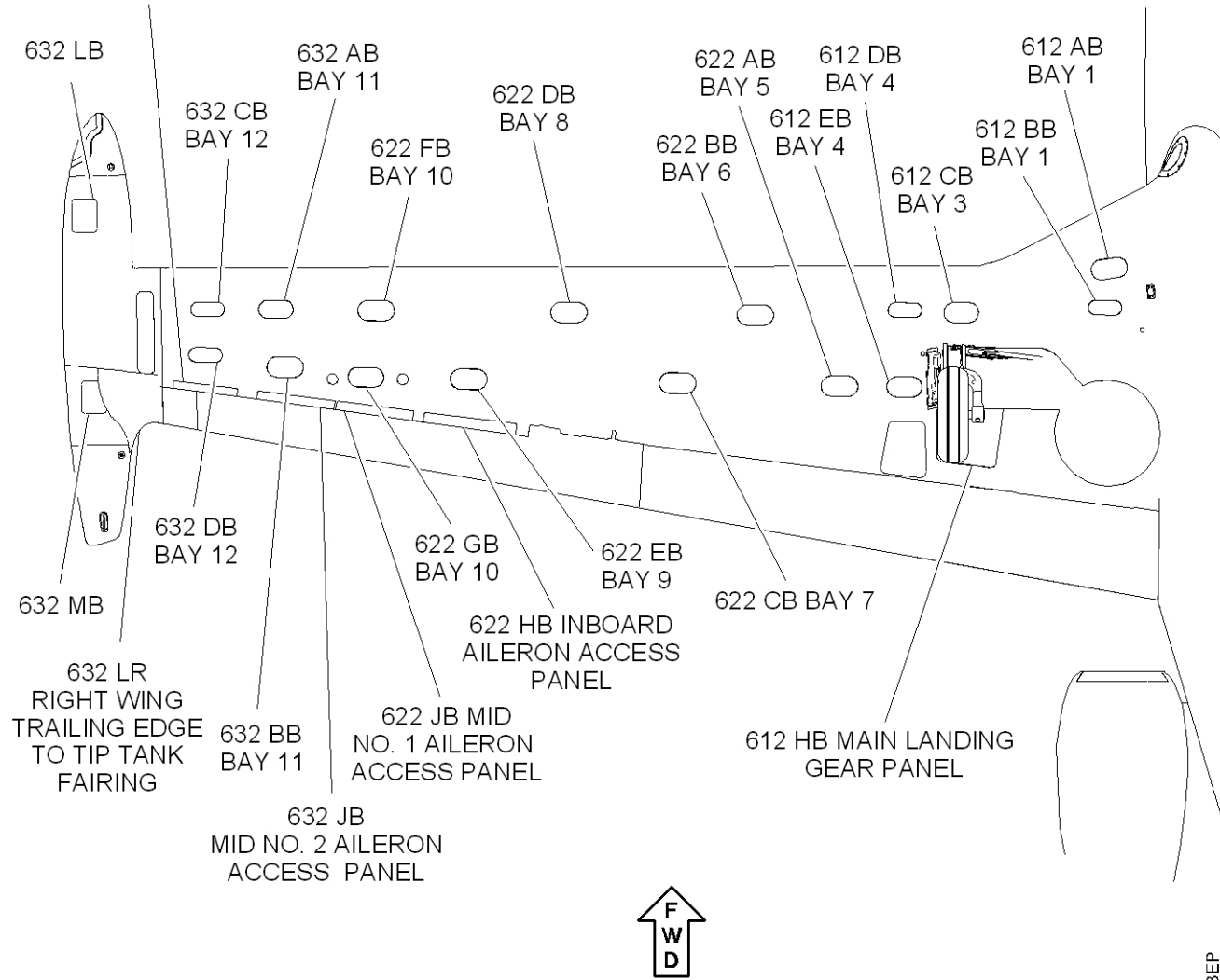


Left Wing Panels
Figure 204 (Sheet 1 of 2)



Left Wing Panels
Figure 204 (Sheet 2 of 2)

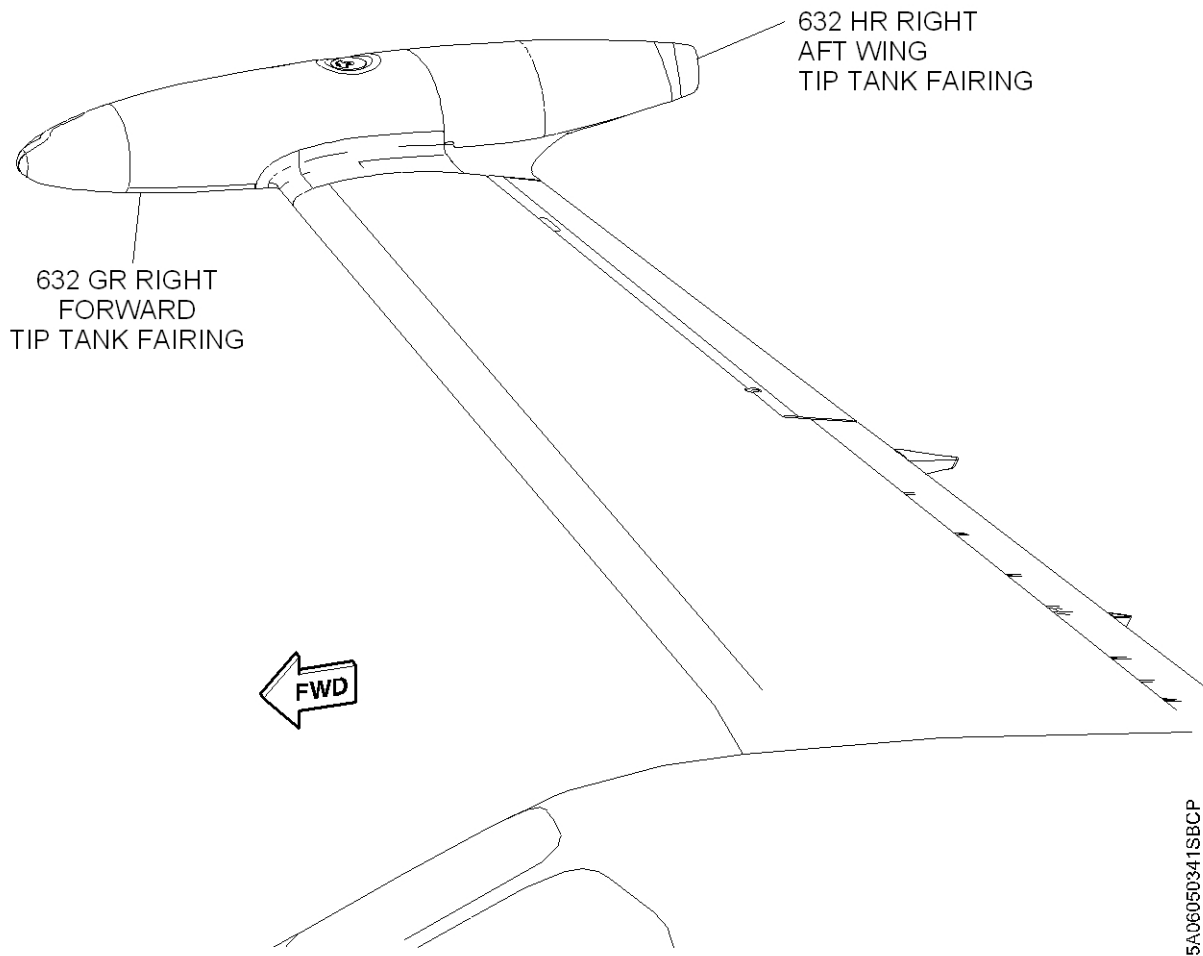
632 KB OUTBOARD
AILERON ACCESS PANEL



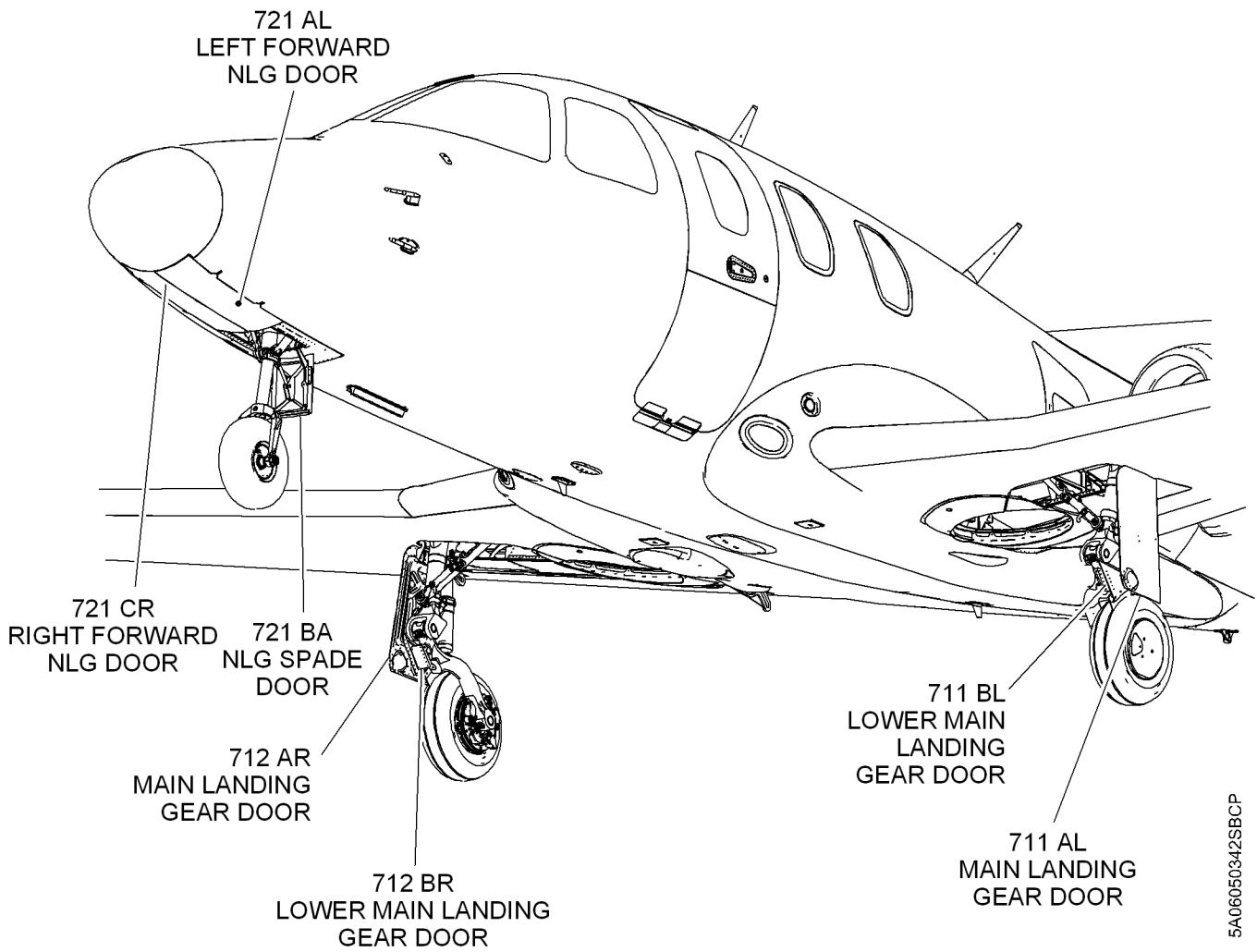
WING ACCESS PANELS
RIGHT WING
BOTTOM VIEW

5A06050340SBEP

Right Wing Panels
Figure 205 (Sheet 1 of 2)



Right Wing Panels
Figure 205 (Sheet 2 of 2)



Landing Gear Panels
Figure 206 (Sheet 1 of 1)

THIS PAGE INTENTIONALLY LEFT BLANK