

**CHAPTER - 25 HIGHLIGHTS**  
**(Summary of Changes)**

*Revision No. TR25-3 May 29/18*

TO: HOLDERS OF THE AIRCRAFT MAINTENANCE MANUAL (06-117751)

Pages that have been added or revised are summarized below. Remove and insert the affected pages as listed, and enter the above revision number with issue date into the Record of Revisions sheet.

**This Temporary Revision incorporates and supersedes previously released temporary revisions for the chapters listed below.**

*Do not remove this page. Keep it in place as a record of previous changes.*

<b>CH/SE/SU Page Block No.</b>	<b>Description of Change</b>
25-21-30 PgBlk 401-Rem (B)	Cabin Floor Panels - Removal: Added 131 CZ-A and 131 CZ-B due to ADS-B modification. – Config B.
25-21-30 PgBlk 401-Inst (B)	Cabin Floor Panels - Installation: Added 131 CZ-A and 131 CZ-B due to ADS-B modification. – Config B.

THIS PAGE INTENTIONALLY LEFT BLANK

---

**CABIN FLOOR PANELS - REMOVAL**

AMM-25-21-30-001-B-801

**1. General**

- A. This task gives procedures to remove the cabin floor panels and baggage compartment floor panel.
- (1) There are seven floor panels located under the carpet in the aircraft cabin. Removal procedures are similar for each panel with the exception of 131 CZ-B - Floor Panel, Aft Short, Left Cabin which has the GPS 3 unit (GDL 88) attached to it.
  - (2) There is one baggage compartment floor panel located under the carpet in the aircraft cabin.

**2. Job Set-Up**

SUBTASK AMM-25-21-30-001-B-921-001

- A. Make aircraft safe for maintenance. Refer to [AMM-20-00-01-051-801 – Make Safe For Maintenance](#).

**3. Procedure**

SUBTASK AMM-25-21-30-001-B-011-001

(Refer to .)

- A. Remove selected floor panels as follows:
- (1) Refer to the FWD LH cabin (1), FWD RH cabin (2), AFT center cabin (3), AFT RH cabin (4), AFT LH cabin - long (6B) and FWD center cabin (7), and identify the applicable floor panel section to remove.
  - (2) If necessary, remove the cabin equipment from the applicable floor panel.
  - (3) Remove the passenger seats. Refer to [AMM-25-21-10-001-801 – Passenger Seat - Removal](#).
  - (4) Remove the transition strips. Refer to [AMM-25-21-25-001-801 – Multi-Purpose Rail - Removal](#).
  - (5) Remove the carpet from the applicable floor panel. Refer to [AMM-25-21-40-001-801 – Carpet Assembly - Removal](#).

**CAUTION:** DO NOT REMOVE PANEL. THE GPS 3 UNIT IS MOUNTED UNDER 131 CZ-B - FLOOR PANEL, AFT SHORT, LEFT CABIN. DAMAGE TO ELECTRICAL WIRING CAN OCCUR IF PANEL IS REMOVED PRIOR TO GPS 3 UNIT REMOVAL.

- (6) For floor panel AFT LH cabin - short (6A), remove the four screws that secure the floor panel. Do not remove panel until GPS 3 Unit and mount have been removed

first. Refer to [AMM-34-50-11-001-C-801 – GPS 3 - Removal](#) and [AMM-34-50-13-001-801 – GPS 3 Mount - Removal](#).

**NOTE:** There are four screws and clip nuts in each floor panel.

(a) To avoid loss of attaching hardware, place the screws (10) in the clip nuts (9) and loosely secure.

- (7) Remove the six screws (10) that secure the applicable floor panel FWD LH cabin (1), FWD RH cabin (2), AFT center cabin (3), AFT RH cabin (4), AFT LH cabin long (6B), or FWD center cabin (7) to the seat tracks (8).

**NOTE:** There are six screws and clip nuts in each floor panel.

- (8) Remove the floor panel from the aircraft.

(a) To avoid loss of attaching hardware, place the screws (10) in the clip nuts (9) and loosely secure.

**B. Remove baggage compartment floor panel as follows:**

- (1) If necessary, remove the cabin equipment from the baggage compartment floor panel (5).

- (2) Remove the baggage net. Refer to [AMM-25-21-50-001-801 – Baggage Net - Removal](#).

- (3) Remove the transition strips. Refer to [AMM-25-21-25-001-801 – Multi-Purpose Rail - Removal](#).

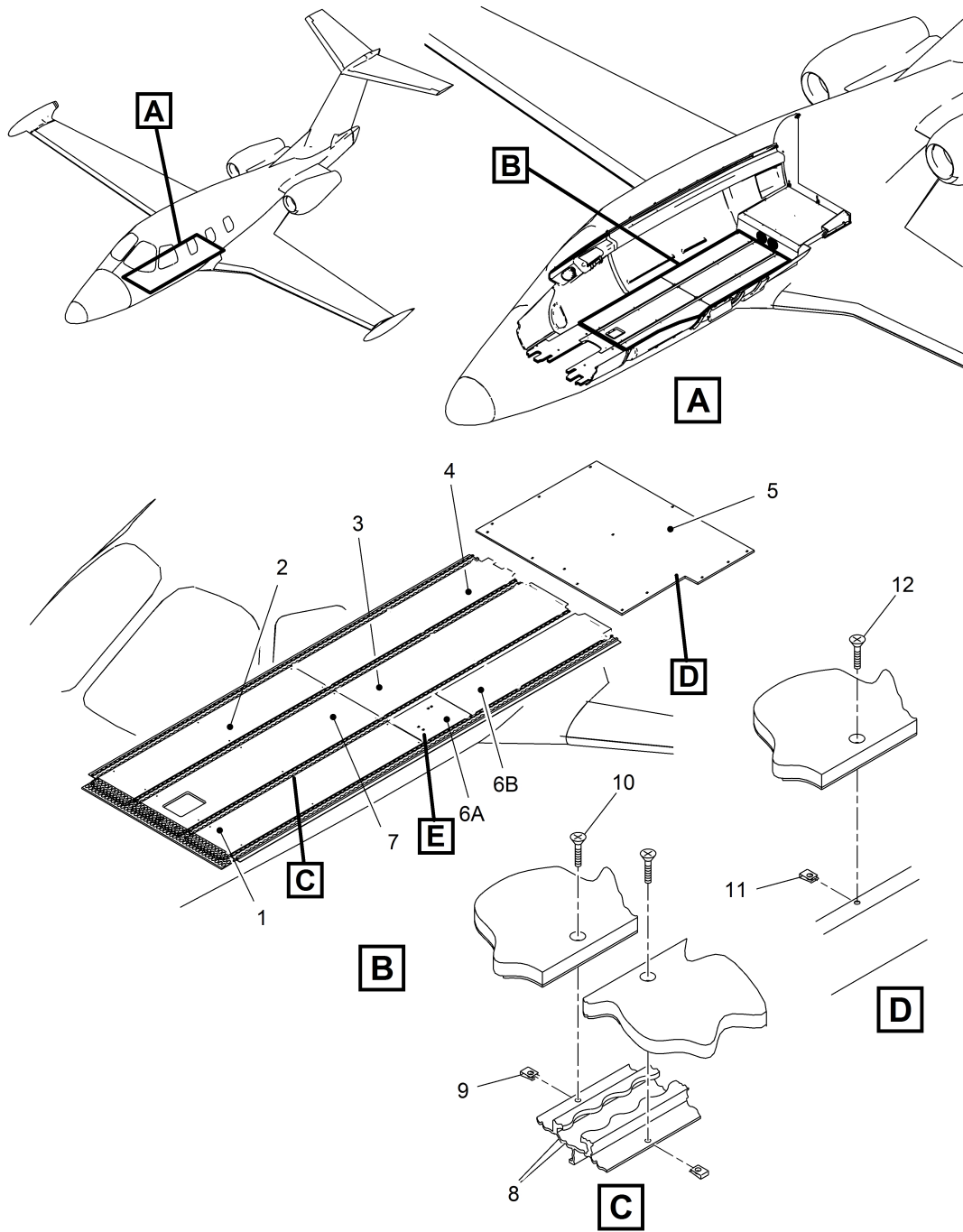
- (4) Remove the carpet from the baggage compartment floor panel (5). Refer to [AMM-25-21-40-001-801 – Carpet Assembly - Removal](#).

- (5) Remove the 13 screws (12) that secure the baggage compartment floor panel (5).

**NOTE:** There are 13 screws and clip nuts in the baggage compartment floor panel.

- (6) Remove the baggage compartment floor panel (5) from the aircraft.

- (7) To avoid loss of attaching hardware, place the screws (12) in the clip nuts (11) and loosely secure.



5080007B

**Cabin Floor Panel - Removal/Installation**  
**Figure 401 (Sheet 1 of 1)**

THIS PAGE INTENTIONALLY LEFT BLANK

---

## **CABIN FLOOR PANELS - INSTALLATION**

AMM-25-21-30-041-B-801

### **1. General**

- A. This task gives procedures to install the cabin floor panels and the baggage compartment floor panel.
  - (1) There are seven floor panels located in the cabin compartment. Installation procedures are similar for each panel with the exception of 131 CZ-B - Floor Panel, Aft Short, Left Cabin which has the GPS 3 (GDL 88) unit attached to it.
  - (2) There is one baggage compartment floor panel located in the aircraft cabin.

### **2. Job Set-Up**

SUBTASK AMM-25-21-30-041-921-001

- A. Make sure the aircraft is in the same configuration as it was when the removal task was completed. Refer to [AMM-25-21-30-001-801 – Cabin Floor Panels - Removal](#).

### **3. Procedure**

SUBTASK AMM-25-21-30-041-411-001

(Refer to [Fig. 401](#).)

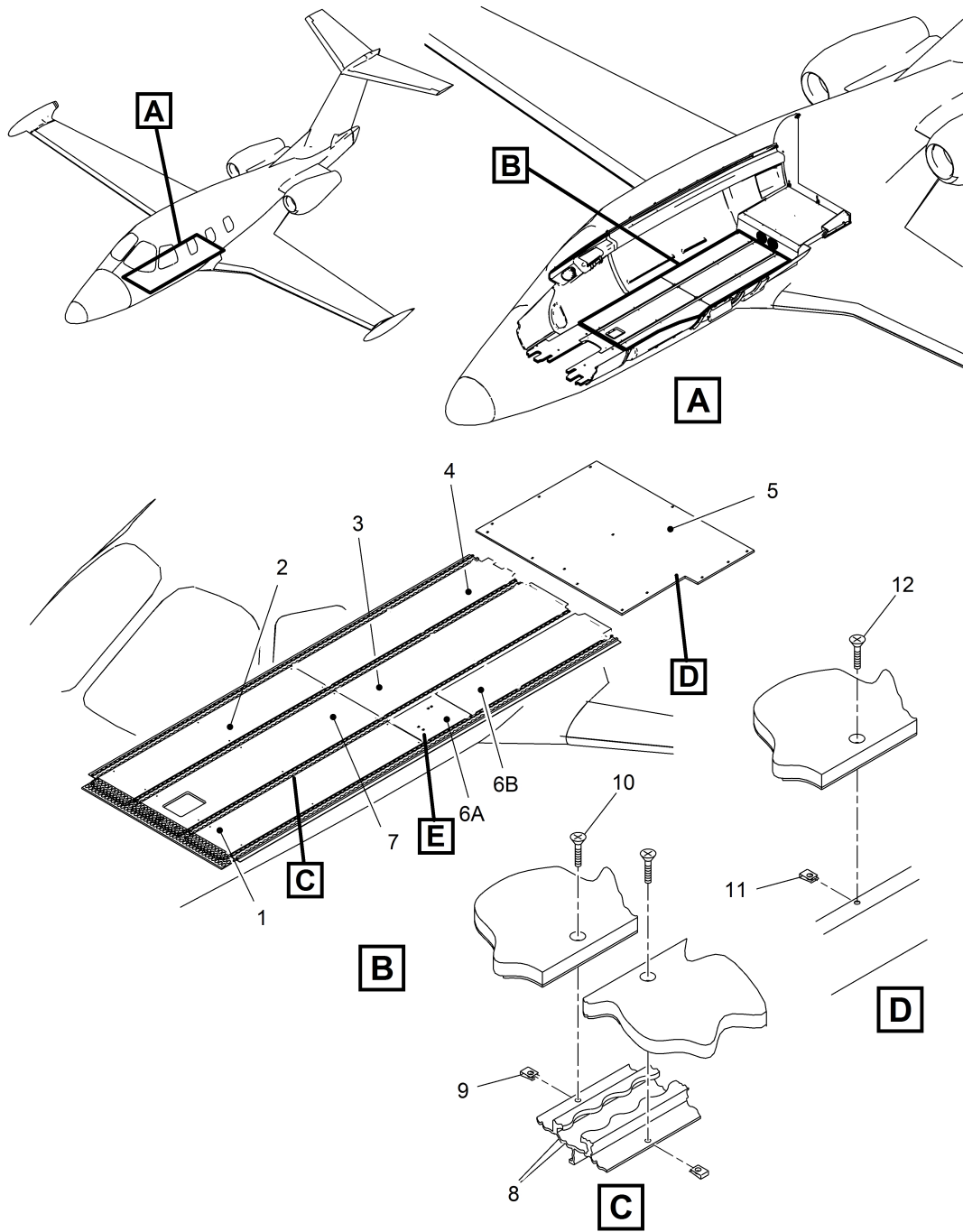
- A. Install floor panels as follows:
  - (1) Make sure that the clip nuts [\(9\)](#) are aligned with the holes on the seat track [\(8\)](#) .
  - (2) For floor panel AFT LH cabin - short [\(6A\)](#) :
    - (a) Install GPS 3 Mount and GPS 3 (GDL 88 unit) to floor board. Refer to [AMM-34-50-13-041-801 – GPS 3 Mount - Installation](#) and [AMM-34-50-11-041-C-801 – GPS 3 - Installation](#) .
    - (b) Put cabin floor panel [\(6A\)](#) on the seat track and align the holes.
    - (c) Install the four screws [\(10\)](#) .
  - (3) Put the cabin floor panel [\(1\)](#) , [\(2\)](#) , [\(3\)](#) , [\(4\)](#) , [\(6B\)](#) , or [\(7\)](#) on the seat track and align the holes.
  - (4) Install the six screws [\(10\)](#) .
  - (5) Install the carpet. Refer to [AMM-25-21-40-041-801 – Carpet Assembly - Installation](#).
  - (6) Install the transition strips. Refer to [AMM-25-21-25-041-801 – Multi-Purpose Rail - Installation](#).
  - (7) Install the passenger seats. Refer to [AMM-25-21-10-041-801 – Passenger Seat - Installation](#).
  - (8) If necessary, install the removed cabin equipment.

- 
- B. Install the baggage compartment floor panel as follows:
- (1) Make sure that the clip nuts (11) are aligned with the holes.
  - (2) Put the baggage compartment floor panel (5) in position and align the holes.
  - (3) Install the 13 screws (12) .
  - (4) Install the carpet. Refer to [AMM-25-21-40-041-801 – Carpet Assembly - Installation](#).
  - (5) Install the transition strips. Refer to [AMM-25-21-25-041-801 – Multi-Purpose Rail - Installation](#).
  - (6) Install the baggage net. Refer to [AMM-25-21-50-041-801 – Baggage Net - Installation](#).
  - (7) If necessary, install the removed cabin equipment.

#### 4. **Job Close-Up**

SUBTASK AMM-25-21-30-041-921-002

- A. Remove all tools, equipment, and unwanted material from work area.
- B. If all other maintenance is complete, return aircraft to service. Refer to [AMM-20-00-02-051-801 – Return To Service \(After Maintenance\)](#).



5080007B

**Cabin Floor Panels - Removal/Installation**  
**Figure 401 (Sheet 1 of 1)**

THIS PAGE INTENTIONALLY LEFT BLANK