
CHAPTER - 35 HIGHLIGHTS
(Summary of Changes)*Revision No. TR35-1 Dec 16/19*

TO: HOLDERS OF THE AIRCRAFT MAINTENANCE MANUAL (06-123838)

Pages that have been added or revised are summarized below. Remove and insert the affected pages as listed, and enter the above revision number with issue date into the Record of Revisions sheet.

This Temporary Revision incorporates and supersedes previously released temporary revisions for the chapters listed below.

Do not remove this page. Keep it in place as a record of previous changes.

CH/SE/SU Page Block No.	Description of Change
35-20-13 PgBlk 401-Rem	35-20-13 – Added Auto-Deployment Oxygen Mask - Removal Procedure.
35-20-13 PgBlk 401-Inst	35-20-13 – Added Auto-Deployment Oxygen Mask - Installation Procedure.

THIS PAGE INTENTIONALLY LEFT BLANK

AUTO-DEPLOYMENT OXYGEN MASK - REMOVAL

AMM-35-20-13-001-801

1. General

- A. This task gives procedures to remove the dual auto-deployment oxygen masks and the single auto-deployment oxygen mask.
- B. There are two dual auto-deployment oxygen masks installed in two dual auto-deployment oxygen mask container assemblies in the overhead console. Removal procedures for the dual auto-deployment oxygen masks are the same and given for the forward.
- C. There is a single auto-deployment oxygen mask installed in the single auto-deployment oxygen mask container assembly in the Instrument Panel Right (IPR).

2. Job Set-Up

SUBTASK AMM-35-20-13-001-921-001

- A. Make aircraft safe for maintenance. Refer to [AMM-20-00-01-051-801 – Make Safe For Maintenance](#).
- B. Obey all oxygen safety precautions. Refer to [AMM-35-00-00-091-801 – Oxygen System - Safety Precautions](#).

3. Procedure

SUBTASK AMM-35-20-13-001-011-001

(Refer to [Fig. 401](#).)

WARNING: OBEY OXYGEN SYSTEM SAFETY PRECAUTIONS WHEN WORK IS DONE ON OR NEAR OXYGEN SYSTEM AND OXYGEN COMPONENTS. OBEY THESE INSTRUCTIONS OR INJURY TO PERSONNEL AND OR DAMAGE TO EQUIPMENT CAN OCCUR.

- A. Remove the dual auto-deployment oxygen mask (3) as follows:
 - (1) Remove oxygen mask decorative panel from dual mask auto-deployment assembly located in the cabin overhead console.
 - (2) Insert the manual release tool (PN 995000) pin or equivalent into the manual release hole in the lid. Hold the tool perpendicular to the surface of the lid, and push down on the tool to release the latch. Lift the lid and remove it from the dual mask container.
NOTE: The lid is spring loaded and will pop open when the manual release has been actuated.
 - (3) Remove the passenger mask (3) from the mask oxygen container as follows:
 - (a) Using a flat-blade screwdriver, detach the passenger mask oxygen supply tube from the valve by unscrewing the threaded mask tubing fitting (1) that is in the end of the supply tubing.
 - (b) Remove the lanyard pin (2) from the valve assembly.

EFFECTIVITY: ALL

35-20-13

Page 401-Rem
Dec 16/19

- (c) Carefully lift the passenger mask (3) , along with its lanyard cord, out of the one mask oxygen container. If the passenger mask (3) is going to be reused, do not uncoil the tubing or remove the mask bag from the mask facepiece.
- (d) Repeat for the other mask as required.

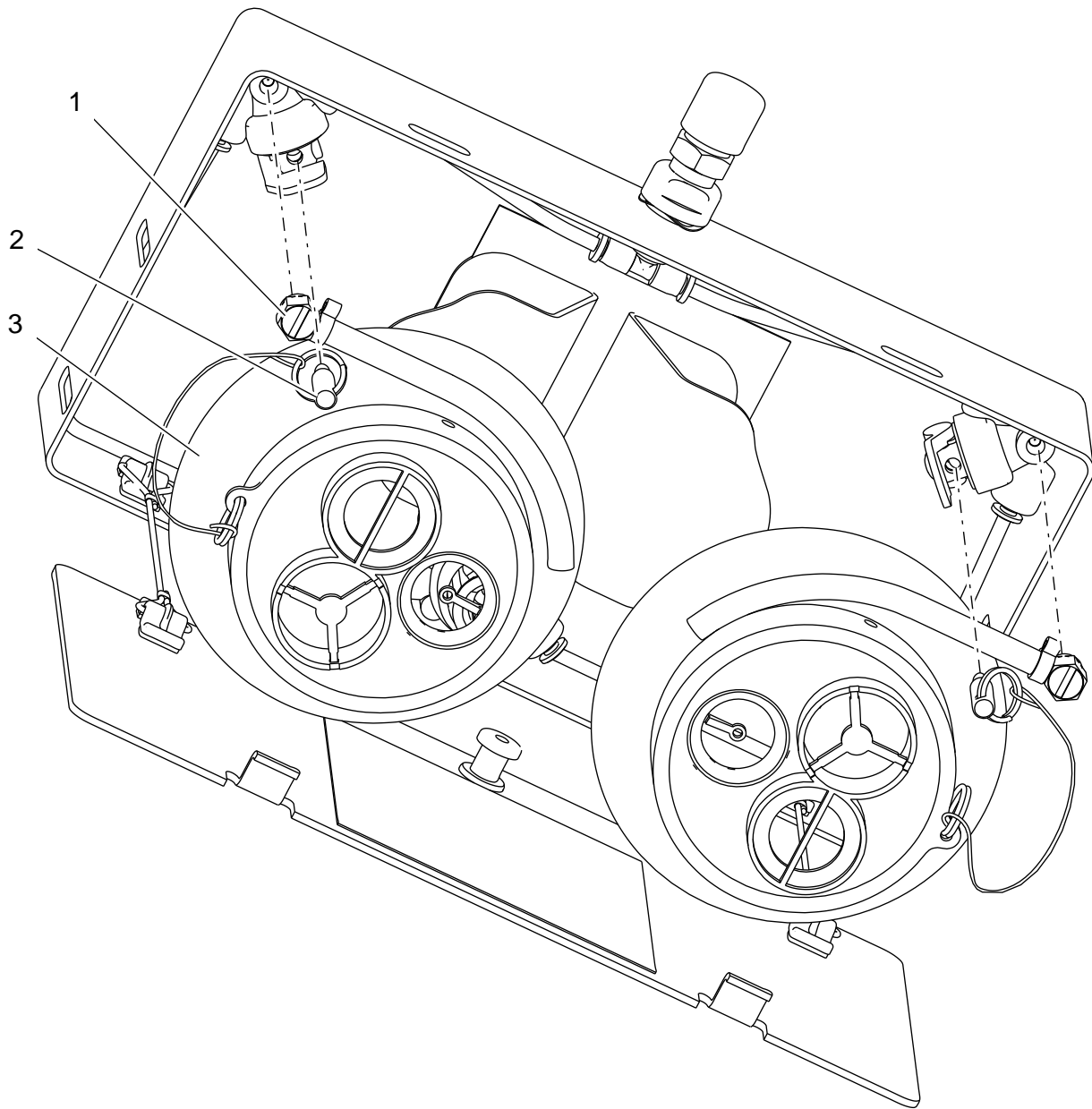
SUBTASK AMM-35-20-13-001-011-002

(Refer to Fig. 402.)

WARNING: OBEY OXYGEN SYSTEM SAFETY PRECAUTIONS WHEN WORK IS DONE ON OR NEAR OXYGEN SYSTEM AND OXYGEN COMPONENTS. OBEY THESE INSTRUCTIONS OR INJURY TO PERSONNEL AND OR DAMAGE TO EQUIPMENT CAN OCCUR.

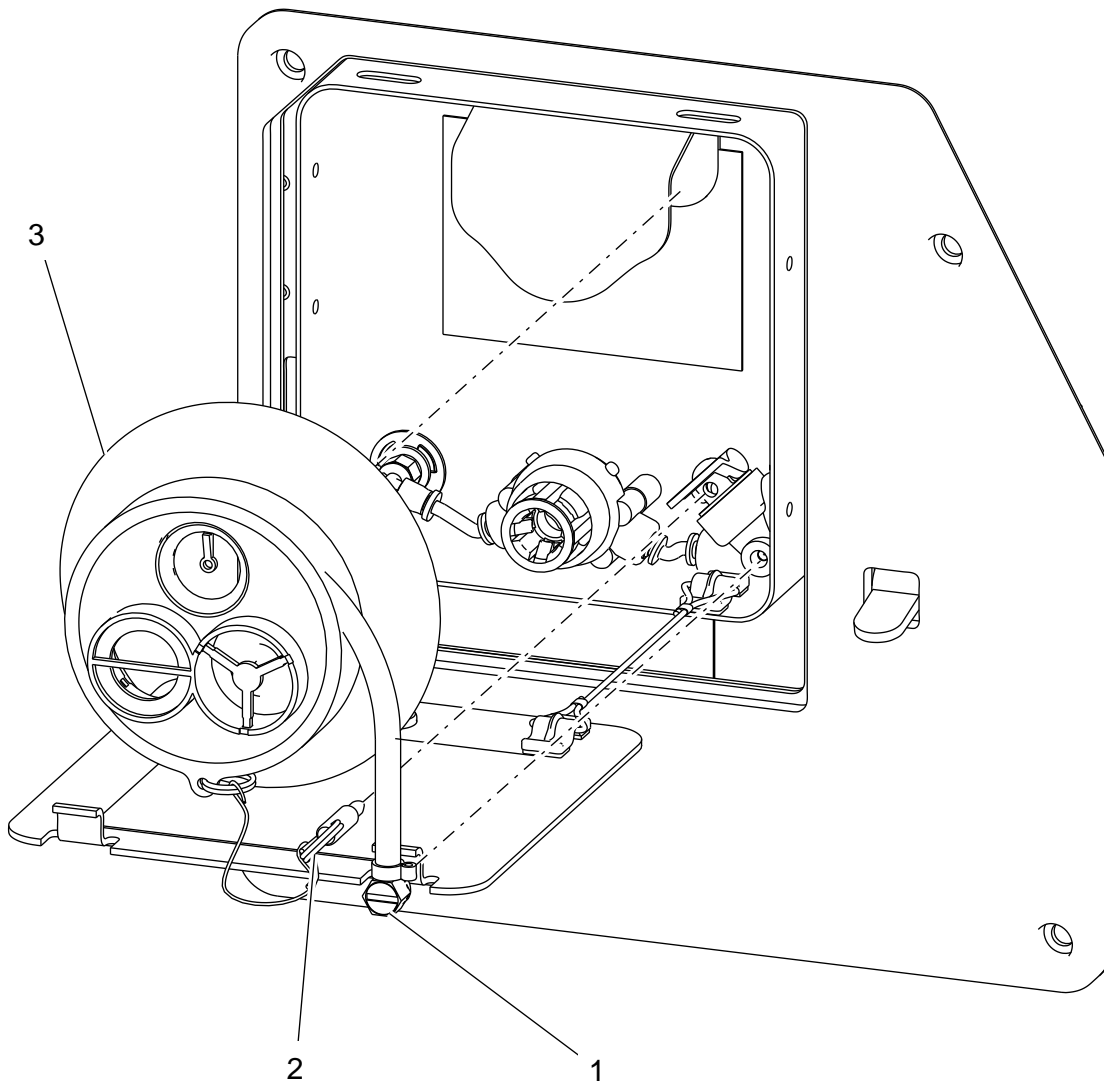
- A. Remove single mask (3) as follows:
 - (1) Remove oxygen mask decorative panel from single mask auto-deployment assembly within the Instrument Panel Right (IPR).
 - (2) Insert the manual release tool (PN 995000) pin or equivalent into the manual release hole in the lid. Hold the tool perpendicular to the surface of the lid, and push down on the tool to release the latch. Lift the lid and remove it from the single mask container.

NOTE: The lid is spring loaded and will pop open when the manual release has been actuated.
 - (3) Remove the passenger mask (3) from the single mask oxygen container as follows:
 - (a) Using a flat-blade screwdriver, detach the passenger mask oxygen supply tube from the valve by unscrewing the threaded mask tubing fitting (1) that is in the end of the supply tubing.
 - (b) Remove the lanyard pin (2) from the valve.
 - (c) Carefully lift the passenger mask (3) , along with its lanyard cord, out of the one mask oxygen container. If the passenger mask (3) is going to be reused, do not uncoil the tubing or remove the mask bag from the mask facepiece.



5192031A

Dual Auto-Deployment Oxygen Mask - Removal/Installation
Figure 401 (Sheet 1 of 1)



5192030A

Single Auto-Deployment Oxygen Mask - Removal/Installation
Figure 402 (Sheet 1 of 1)

AUTO-DEPLOYMENT OXYGEN MASK - INSTALLATION

AMM-35-20-13-041-801

1. General

- A. This task gives procedures to install the dual auto-deployment oxygen mask and the single auto-deployment oxygen mask.
- B. There are two auto-deployment oxygen masks installed in two dual auto-deployment oxygen mask container assemblies in the overhead console. Installation procedures for the dual auto-deployment oxygen masks are the same and given for the forward.
- C. There is a single auto-deployment oxygen mask installed in the single auto-deployment oxygen mask container assembly in the Instrument Panel Right (IPR).

2. Job Set-Up

SUBTASK AMM-35-20-13-041-921-001

- A. Make sure the aircraft is in same configuration as it was when the removal task was completed. Refer to [AMM-35-20-13-001-801 – Auto-Deployment Oxygen Masks - Removal](#).

3. Procedure

SUBTASK AMM-35-20-13-041-411-001

(Refer to [Fig. 401](#).)

WARNING: OBEY OXYGEN SYSTEM SAFETY PRECAUTIONS WHEN WORK IS DONE ON OR NEAR OXYGEN SYSTEM AND OXYGEN COMPONENTS. OBEY THESE INSTRUCTIONS OR INJURY TO PERSONNEL AND OR DAMAGE TO EQUIPMENT CAN OCCUR.

- A. Install dual auto-deployment oxygen masks (3) as follows:
 - (1) Carefully place the passenger mask (3) , along with its lanyard cord, into the dual mask oxygen container.
 - (2) Using a flat-blade screwdriver, install the passenger mask oxygen supply tube to the valve by screwing the threaded mask tubing fitting (1) that is in the end of the supply tubing.
 - (3) Insert the lanyard pin (2) into the valve.
 - (4) Repeat for the other mask as required.
 - (5) Install the container door.
 - (6) Center and secure the decorative panel to the mask container door.

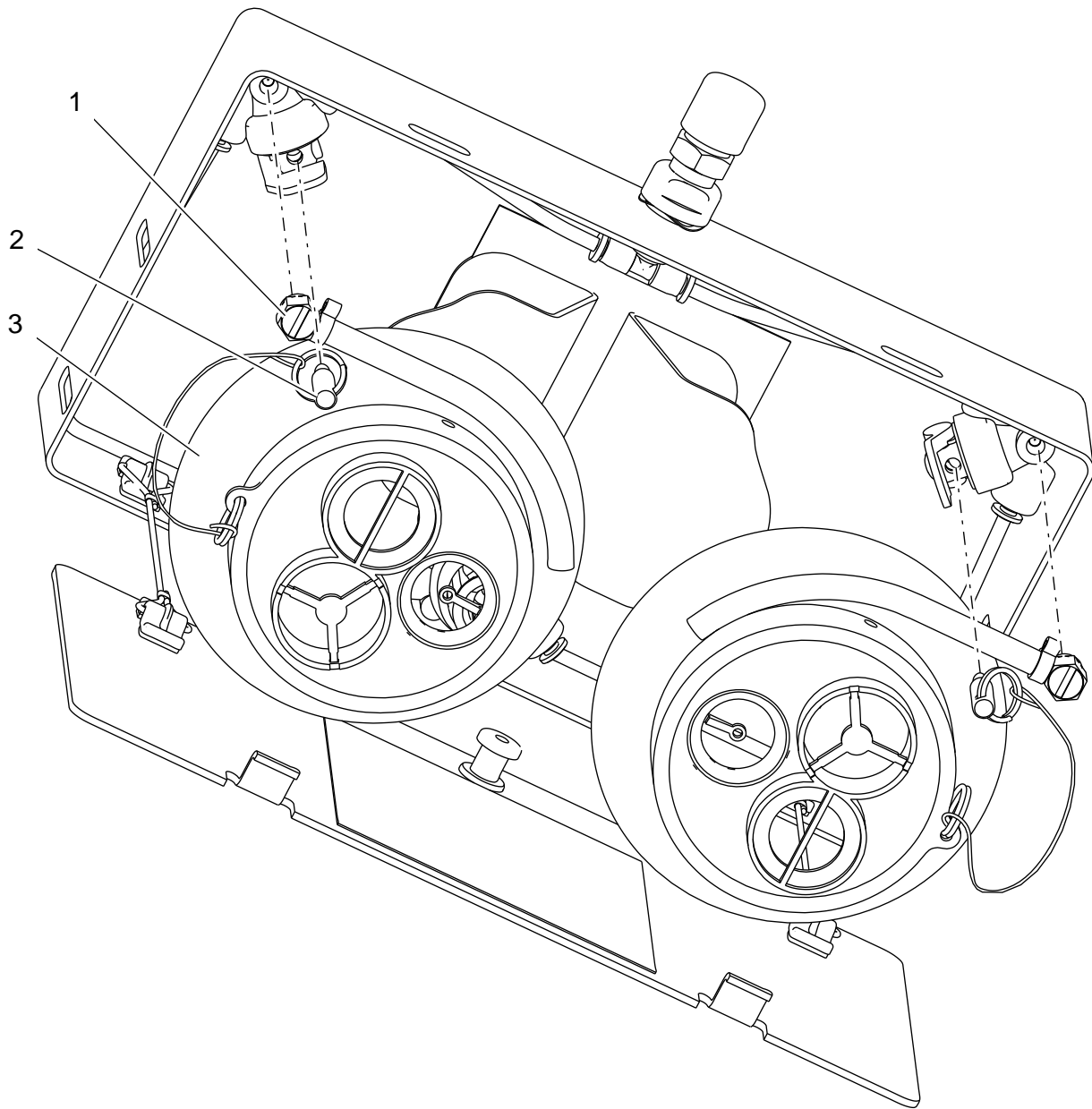
SUBTASK AMM-35-20-13-041-411-002

(Refer to [Fig. 402.](#))

- A. Install single mask auto-deployment oxygen mask (3) as follows:
- (1) Carefully place the passenger mask (3) , along with its lanyard cord, into the single mask oxygen container.
 - (2) Using a flat-blade screwdriver, install the passenger mask oxygen supply tube to the valve by screwing the threaded mask tubing fitting (1) that is in the end of the supply tubing.
 - (3) Insert the lanyard pin (2) into the valve.
 - (4) Install the container door.
 - (5) Center and secure the decorative panel to the mask container door.

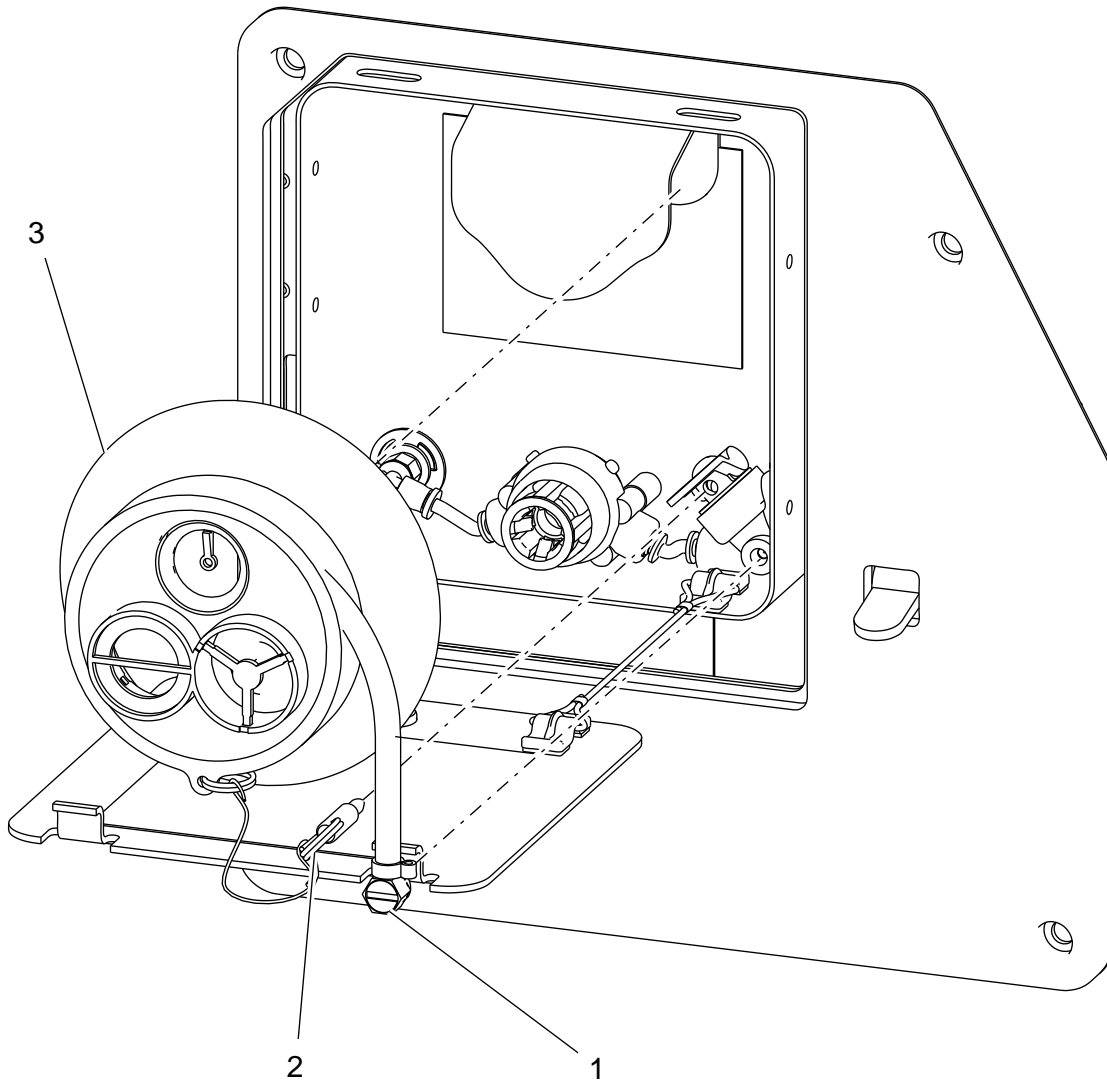
4. Job Close-Up**SUBTASK AMM-35-20-13-041-921-002**

- A. Do adjustment/test of passenger oxygen system. Refer to [AMM-35-00-00-071-801 – Oxygen System - Adjustment/Test](#) , SUBTASK AMM-35-00-00-071-701-002 – Passenger Oxygen System Test.
- (1) Apply masking tape on container doors of masks that are not being tested.
 - (2) Remove masking tape from container doors when testing is completed.
- B. Remove all tools, equipment and unwanted material from work area.
- C. If all other maintenance is complete, return aircraft to service. Refer to [AMM-20-00-02-051-801 – Return To Service \(After Maintenance\)](#).



5192031A

Dual Auto-Deployment Oxygen Mask - Removal/Installation
Figure 401 (Sheet 1 of 1)



5192030A

Single Auto-Deployment Oxygen Mask - Removal/Installation
Figure 402 (Sheet 1 of 1)